

# Jinbo Marine

Marine & Offshore Equipment Datasheet

**PRODUCT DATASHEET**

**MARINE CHOCK**

## Open Chock JIS F-2006 Type FC

&nbsp; Feature: 1.Strict quality control. 2.Can issue BV,CCS,DNV,LR,KR,ABS,RINA certificate 3.Good after-sale service 4. CB34-76 Type A,Type B,Type C and Type D available. 5.surface...

ISO9001 Supplier

Class Certificate

Export Supply



### Key Highlights

<b>Category</b>	Marine Chock
<b>Standard</b>	JIS
<b>Material</b>	cast steel,cast iron
<b>Weight / Size</b>	We designs and manufactures panama chocks in a wide variety of sizes and...
<b>Certificate</b>	mill certificate,CCS,ABS,BV etc.

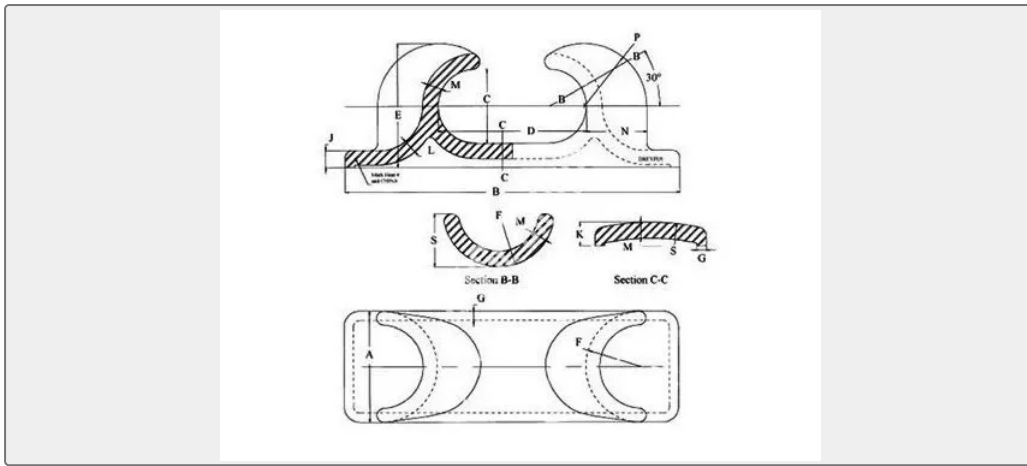
We can supply according to your requirement, drawings, class certificate needs, and delivery schedule.

### Technical Specifications

<b>Category</b>	Marine Chock	<b>Model / SKU</b>	Open-Chock-JIS-F-2006-Type-FC
<b>Standard</b>	JIS	<b>Material</b>	cast steel,cast iron
<b>Weight / Size</b>	We designs and manufactures panama chocks in a wide variety of sizes and styles.	<b>Surface</b>	5.surface in contact with the rope in use been finished smoothly.
<b>Certificate</b>	mill certificate,CCS,ABS,BV etc.	<b>Warranty</b>	12 Months unless specified otherwise
<b>Origin</b>	China		

**CONTENTS** ■ Feature: ■ Also we can supply other kinds of Chocks as below.





## Feature:

1. Strict quality control.
2. Can issue BV, CCS, DNV, LR, KR, ABS, RINA certificate
3. Good after-sale service
4. CB34-76 Type A, Type B, Type C and Type D available.
5. surface in contact with the rope in use been finished smoothly.

We designs and manufactures panama chocks in a wide variety of sizes and styles.

Our panama chocks and other deck fittings are used by military and industrial ships, operating effectively throughout the world.

Open Chock JIS F-2006 Type FC														
Product No.	Size	B	C	D	E	F	G	J	K	L	M	N	P	S
	A(inch)	(inch)	(inch)	(inch)	(inch)	(inch)	(inch)	(inch)	(inch)	(inch)	(inch)	(inch)	(inch)	(inch)
OCJ-001	9"	27-3/4"	6	12	10-1/8"	4-1/2"	7/8"	1-1/2"	2-1/16"	1-1/8"	1-3/8"	4-7/8"	5-1/16"	4-1/4"
OCJ-002	10"	30-3/8"	6-5/8"	13-1/4"	11-1/8"	5	1	1-9/16"	2-3/16"	1-1/4"	1-1/2"	5-7/16"	5-3/8"	4-3/4"
OCJ-003	12"	36	8	16	13-3/8"	6	1-1/4"	1-7/8"	2-5/8"	1-1/2"	1-3/4"	6-1/2"	6-3/4"	5-3/4"
OCJ-004	14"	42	9-3/8"	18-3/4"	15-5/8"	7	1-1/4"	2-3/16"	3-1/16"	1-3/4"	2	7-5/8"	7-7/8"	6-11/16"
OCJ-005	16"	48	10-3/4"	21-1/2"	17-3/4"	8	1-3/8"	1-3/8"	3-3/8"	2	2-1/4"	8-5/8"	9	7-3/4"
OCJ-006	18"	54	12	24	20	9	1-1/2"	1-1/2"	3-7/8"	2-1/4"	2-1/2"	9-3/4"	10-1/8"	8-5/8"

**Also we can supply other kinds of Chocks as below.**

Deck mounted Panama chock JIS F2017-1982 type AC

Bulwark mounted Panama Chock JIS F2017-1982 Type BC

Deck Mounted Closed Chock JIS F2005-1975

Bulwark mounted mooring chock JIS F 2007-1976 type A

Bulwark Mounted Chock DIN81915-1998 Type A

Bulwark Mounted Chock DIN81915-1998 Type B

Deck mounted Chock DIN81915-1998 type C

Deck mounted Chock DIN81915-1998 type D

Deck mounted Chock DIN81915-1998 type E

Deck Mounted Chock EU Type

Bulwark Mounted Chock EU Type

Single Point Mooring Pipe JIS F 2030-1978 type A

Single Point Mooring Pipe JIS F 2030-1978 type B

Deck mounted chock type A NS2587

Deck mounted chock type B NS2587

Deck mounted chock type A NS2588

Deck mounted chock type B NS2588

Deck mounted chock type A NS2589

Deck mounted chock type B NS2589

Deck mounted chock type A NS2590

Deck mounted chock type B NS2590

Mooring chock CB34 -76 TYPE A

Mooring chock CB34 -76 TYPE C

Open chock JISF 2006 TYPE FC