

# Jinbo Marine

Marine & Offshore Equipment Datasheet

PRODUCT DATASHEET

## OTHER MARINE VALVES & ACCESSORIES

# Oval Deck Scupper CB/T3885-2004 Type TA

ISO9001 Supplier

Class Certificate

Export Supply

Deck Scupper is also called as deck drain, deck drain mouth, water scupper, used to drain the water on the deck or the cabin floor. Standard: CB/T 3885-2004 It should pass the sealing test which lasts for 5 m...



### Key Highlights

Category	Other Marine Valves & Accessories
Standard	GB
Material	Carbon Steel with Galvanization
Weight / Size	Type Descriptions Nominal Size(mm) YA Round Deck Scupper 32~80 YB Round ...
Certificate	ABS, LR, BV, DNVGL, NK, KR, IRS, RMRS, CCS

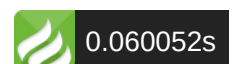
We can supply according to your requirement, drawings, class certificate needs, and delivery schedule.



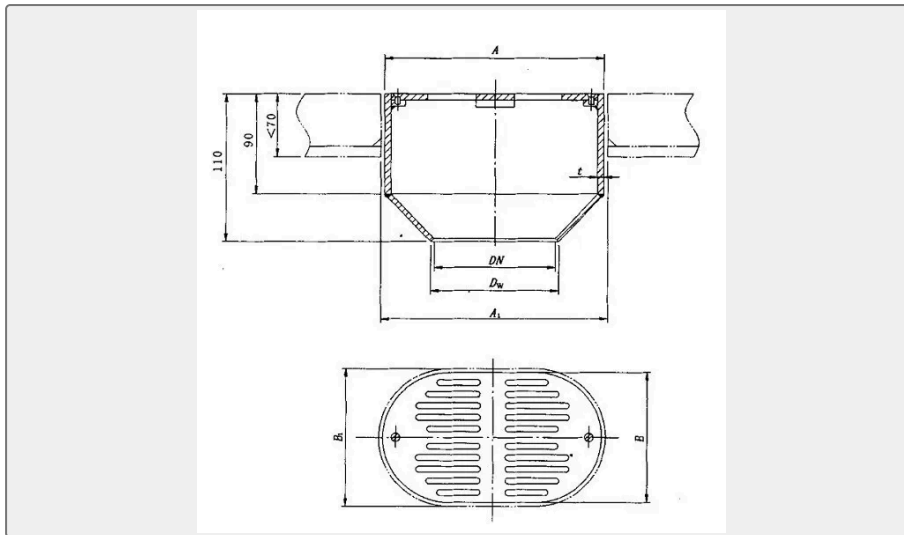
Technical Specifications			
<b>Category</b>	Other Marine Valves & Accessories	<b>Model / SKU</b>	Oval-Deck-Scupper-CB-T3885-2004-Type-TA
<b>Standard</b>	GB	<b>Material</b>	Carbon Steel with Galvanization
<b>Weight / Size</b>	Type Descriptions Nominal Size(mm) YA Round Deck Scupper 32~80 YB Round Deck Scupper with flange, flange size as per GB/T10751-1989 32~40 YBS Round Deck Scupper with flange, flange size as per GB/T2506-1989 32~65 YC Flat Round Deck Scupper 32~100 YD Short-tube Round Deck Scupper 40~65 TA Oval Deck Scupper 80~150 TB Oval Deck Scupper with flange, flange size as per CB/T46-1999 TBS Oval Deck Scupper with flange, flange size as per GB/T2506-1989 SA Water Sealed Deck Scupper with Flange, flange size as per CB/T46-1999 & GB/T10751-1989 40~100 SAS Water Sealed Deck Scupper with Flange, flange size as per GB/T2506-1989 50~100 SB Bolted Water Sealed Deck Scupper with Flange, flange size as per CB/T46-1999 & GB/T10751-1989 40~100 SBS Bolted Water Sealed Deck Scupper with Falnge, flange size as per GB/T2506-1989 50~100 SC Welded Water Sealed Deck Scupper with Falnge, flange size as per CB/T46-1999 & GB/T10751-1989 40~100 SCS Welded Water Sealed Deck Scupper with Falnge, flange size as per GB/T2506-1989 50~100 Main Parts & Size:	<b>Certificate</b>	ABS, LR, BV, DNVGL, NK, KR, IRS, RMRS, CCS
<b>Warranty</b>	12 Months unless specified otherwise	<b>Origin</b>	China

**CONTENTS**

- China Oval Deck Scupper CB/T3885-2004 Type TA:
- Main Parts & Size:
- Type:
- Main Size List(mm):



## China Oval Deck Scupper CB/T3885-2004 Type TA:



Deck Scupper is also called as deck drain, deck drain mouth, water scupper, used to drain the water on the deck or the cabin floor.

Standard: CB/T 3885-2004

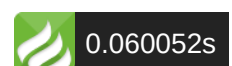
It should pass the sealing test which lasts for 5 minutes under the 0.12Mpa water pressure.

### Type:

Type	Descriptions	Nominal Size(mm)
YA	Round Deck Scupper	32~80
YB	Round Deck Scupper with flange, flange size as per GB/T10751-1989	32~40
YBS	Round Deck Scupper with flange, flange size as per GB/T2506-1989	32~65
YC	Flat Round Deck Scupper	32~100
YD	Short-tube Round Deck Scupper	40~65
TA	Oval Deck Scupper	80~150
TB	Oval Deck Scupper with flange, flange size as per CB/T46-1999	
TBS	Oval Deck Scupper with flange, flange size as per GB/T2506-1989	
SA	Water Sealed Deck Scupper with Flange, flange size as per CB/T46-1999 & GB/T10751-1989	40~100
SAS	Water Sealed Deck Scupper with Flange, flange size as per GB/T2506-1989	50~100
SB	Bolted Water Sealed Deck Scupper with Flange, flange size as per CB/T46-1999 & GB/T10751-1989	40~100
SBS	Bolted Water Sealed Deck Scupper with Flange, flange size as per GB/T2506-1989	50~100
SC	Welded Water Sealed Deck Scupper with Flange, flange size as per CB/T46-1999 & GB/T10751-1989	40~100
SCS	Welded Water Sealed Deck Scupper with Flange, flange size as per GB/T2506-1989	50~100

### Main Parts & Size:

Body---Carbon Steel with Galv



Grill---Carbon Steel with Galv

**Main Size List(mm):**

DN	DW	A	A1	B	B1	t	weight(kg)
80	89	210	214	135	139	6	4.4
100	114	250	254	150	154	8	8.6
125	140	300	304	175	179	8	15.5
150	168	350	354	200	204	9	17.9