

Jinbo Marine

Marine & Offshore Equipment Datasheet

PRODUCT DATASHEET

STEEL CARGO BLOCK

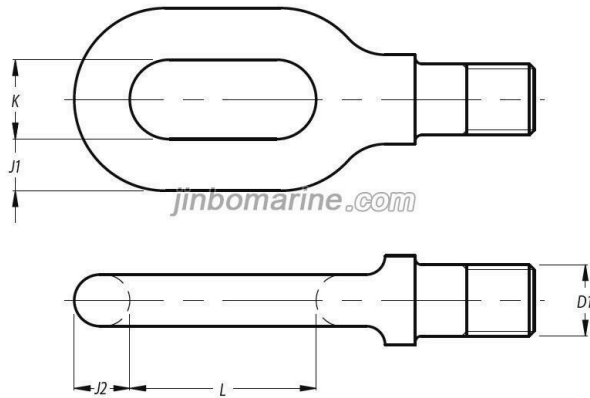
Oval Eye Head Fittings

Drawign: Specification: Nominal size Will(t) Dimensions (mm) Thread D1 L K J1 ...

ISO9001 Supplier

Class Certificate

Export Supply



Key Highlights

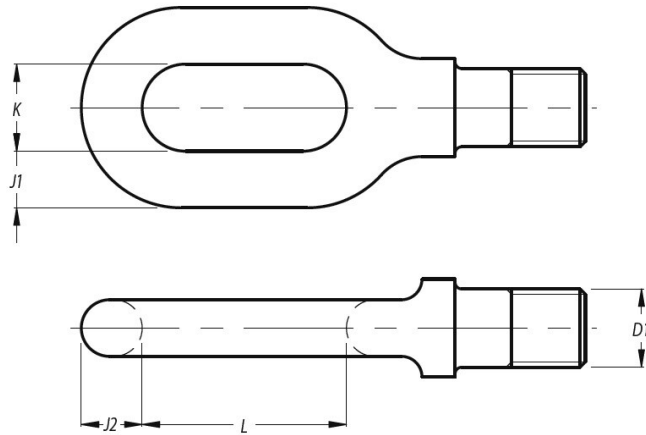
Category	Steel Cargo Block
Standard	EN
Weight / Size	Nominal size Will(t) Dimensions (mm) Thread D1 L K J1 J2 1 1 48 21 12 14...
Certificate	ABS, LR, BV, DNVGL, NK, KR, IRS, RMRS, CCS

We can supply according to your requirement, drawings, class certificate needs, and delivery schedule.

Technical Specifications			
Category	Steel Cargo Block	Model / SKU	Oval-Eye-Head-Fittings
Standard	EN	Weight / Size	Nominal size Will(t) Dimensions (mm) Thread D1 L K J1 J2 1 1 48 21 12 14 M18 1.6 1.6 58 26 16 18 M22 2 2 58 26 16 18 M24 2.5 2.5 72 32 21 23 M27 3 3.2 72 32 21 23 M30 4 4 94 40 26 28 M33 5 5 94 40 26 28 M36 6 6.3 108 45 29 32 M42 8 8 115 49 32 35 M45 10 10 125 54 36 39 M52 12 12.5 144 60 41 44 M56 16 16 163 66 46 49 M64 20 20 173 72 51 54 M72*6 25 25 192 80 56 59 M76*6 32 32 216 90 60 64 M80*6 40 40 240 100 66 70 M90*6 50 50 264 110 74 78 M100*6 63 63 290 120 84 89 M110*6 80 80 325 135 94 99 M120*6 100 100 360 150 105 111 M130*6 125 125 400 165 117 123 M140*6 160 160 440 185 133 140 M160*6 200 200 500 210 149 157 M180*6 250 250 560 235 167 175 M200*6 Product Advantage:
Certificate	ABS, LR, BV, DNVGL, NK, KR, IRS, RMRS, CCS	Warranty	12 Months unless specified otherwise
Origin	China		

CONTENTS	■ Drawign:	■ Specification:
	■ Product Advantage:	■ Packing and Delivery :
	■ How to Order?	

Drawign:



dqmarine.com

Specification:

Nominal size	Will(t)	Dimensions (mm)				Thread D1
		L	K	J1	J2	
1	1	48	21	12	14	M18
1.6	1.6	58	26	16	18	M22
2	2	58	26	16	18	M24
2.5	2.5	72	32	21	23	M27
3	3.2	72	32	21	23	M30
4	4	94	40	26	28	M33
5	5	94	40	26	28	M36
6	6.3	108	45	29	32	M42
8	8	115	49	32	35	M45
10	10	125	54	36	39	M52
12	12.5	144	60	41	44	M56
16	16	163	66	46	49	M64
20	20	173	72	51	54	M72*6
25	25	192	80	56	59	M76*6
32	32	216	90	60	64	M80*6
40	40	240	100	66	70	M90*6
50	50	264	110	74	78	M100*6

63	63	290	120	84	89	M110*6
80	80	325	135	94	99	M120*6
100	100	360	150	105	111	M130*6
125	125	400	165	117	123	M140*6
160	160	440	185	133	140	M160*6
200	200	500	210	149	157	M180*6
250	250	560	235	167	175	M200*6

Product Advantage:

- 1.Satisfactory Quality
- 2.Competitive Price
- 3.Prompt Delivery
- 4.7x24 hours service

Packing and Delivery :

1. Standard Export Packing or Seaworthy Packing, if you have special requirement, please specify when inquiry.
2. Fast Delivery, delivery time can negotiate when order.

How to Order?

1. Please inform us the model, type or size you need.
2. Please inform us the quantity to make the best price for you.
3. Shipment Model: Air or Sea shipment.
4. Special requirement if any.