

# Jinbo Marine

Marine &amp; Offshore Equipment Datasheet

PRODUCT DATASHEET

## OTHER MARINE VALVES & ACCESSORIES

# Overboard Boiler Discharge Valve CB/T3841-1999

ISO9001 Supplier

Class Certificate

Export Supply

Overboard Boiler Discharge Valve CB/T3841-1999 is the overboard discharge valve for boiler.  
 Technical Specification: Design Standard: CB/T3841-1999 Test Standard: GB600 Applicable  
 Medium: Wate...



### Key Highlights

Category	Other Marine Valves & Accessories
Standard	GB
Material	Cast Steel
Weight / Size	Body---Cast Steel Bonnet---Cast Steel Stem---Bronze Disc---Bronze Main S...
Certificate	ABS, LR, BV, DNVGL, NK, KR, IRS, RMRS, CCS

We can supply according to your requirement, drawings, class certificate needs, and delivery schedule.

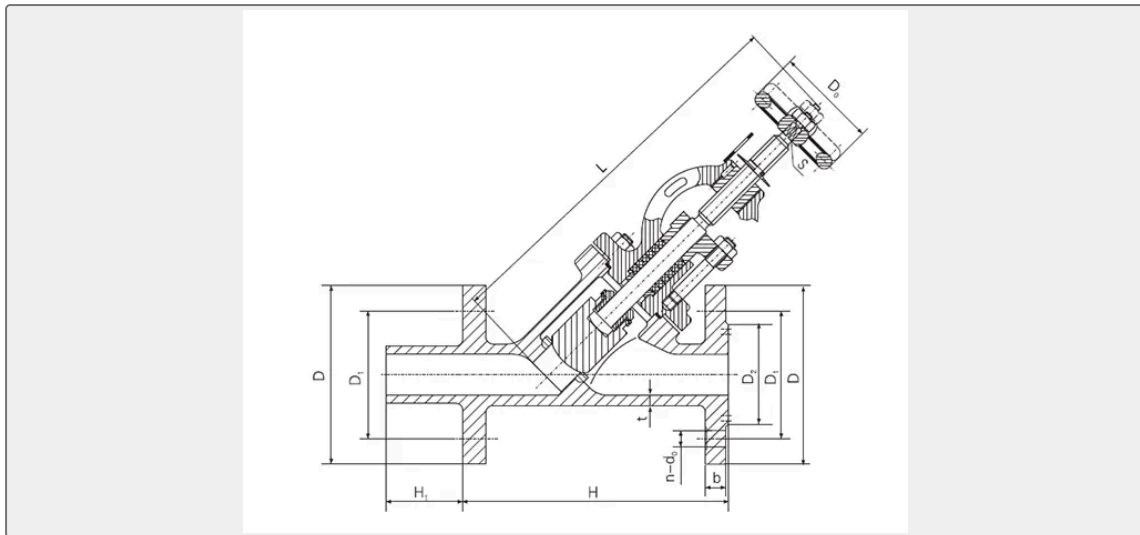
### Technical Specifications

Category	Other Marine Valves & Accessories	Model / SKU	Overboard-Boiler-Discharge-Valve-CB-T3841-1999
Standard	GB	Material	Cast Steel
Weight / Size	Body---Cast Steel Bonnet---Cast Steel Stem---Bronze Disc---Bronze Main Size List(mm):	Certificate	ABS, LR, BV, DNVGL, NK, KR, IRS, RMRS, CCS
Warranty	12 Months unless specified otherwise	Origin	China

#### CONTENTS

- China Overboard Boiler Discharge Valve CB/T3841-1999:
- Main Parts & Material:
- Technical Specification:
- Main Size List(mm):

## China Overboard Boiler Discharge Valve CB/T3841-1999:



Overboard Boiler Discharge Valve CB/T3841-1999 is the overboard discharge valve for boiler.

### Technical Specification:

Design Standard: CB/T3841-1999

Test Standard: GB600

Applicable Medium: Water & Steam  $\leq 250^{\circ}\text{C}$

Type	Flange Connection Standard	Nominal Pressure	Nominal Diameter
A	GB569	2.5Mpa	DN25, DN32, DN40
AS	GB2501		

### Main Parts & Material:

Body---Cast Steel

Bonnet---Cast Steel

Stem---Bronze

Disc---Bronze

### Main Size List(mm):

Type A:

Nominal diameter	Structure Dimension				Flange					Bolt		hand wheel		Lift Range(m)	Weight (kg)
	L	H	H1	t	D	D1	D2	b	d0	Th.	n	D0	S		
25	218	178	60	7	105	73	56	12	13	M12	4	80	8	12	6.7
32	260	200	60	7.5	115	83	64	13	15	M14	6	100	9	16	8.9
40	302	220	60	8	125	93	74	13	15	M14	6	120	10	20	10.9

Type AS:

Nominal diameter	Structure Dimension				Flange					Bolt		hand wheel		Lift Range(m)	Weight (kg)
	L	H	H1	t	D	D1	D2	b	d0	Th.	n	D0	S		
25	218	184	60	7	115	85	68	16	14	M12	4	80	8	12	8
32	260	208	60	7.5	140	100	78	18	18	M16	4	100	9	16	10.4
40	302	220	60	8	150	110	88	18	18	M16	4	120	11	20	12.5