

# Jinbo Marine

Marine & Offshore Equipment Datasheet

PRODUCT DATASHEET

## MARINE KITCHEN GALLEY

# PC-25 Marine Noodle Press Machine

PC-25 Marine Noodle Press Machine 1. All stainless steel structure, beautiful and practical, high efficiency of pressing surface 2. Smooth operation, low noise, using multi-tooth transmission 3. One machine with ...

ISO9001 Supplier

Class Certificate

Export Supply



### Key Highlights

<b>Category</b>	Marine Kitchen Galley
<b>Standard</b>	EN
<b>Material</b>	SS
<b>Weight / Size</b>	Equipped with stainless steel adjustable feet for easy installation PC-2...
<b>Certificate</b>	ABS, LR, BV, DNVGL, NK, KR, IRS, RMRS, CCS

We can supply according to your requirement, drawings, class certificate needs, and delivery schedule.



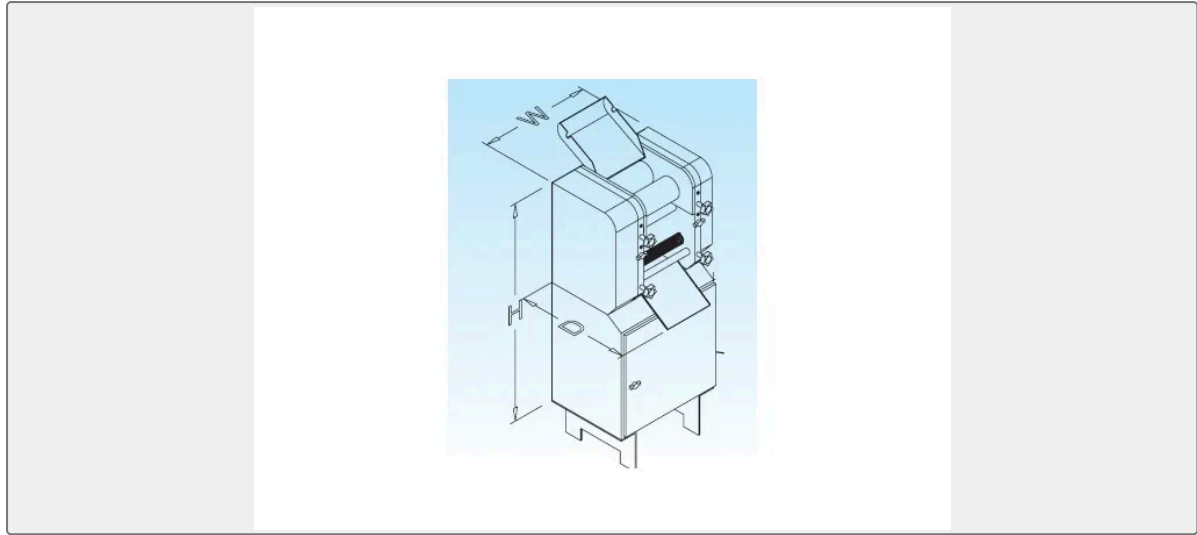
Technical Specifications			
<b>Category</b>	Marine Kitchen Galley	<b>Model / SKU</b>	PC-25-Marine-Noodle-Press-Machine
<b>Standard</b>	EN	<b>Material</b>	SS
<b>Weight / Size</b>	Equipped with stainless steel adjustable feet for easy installation PC-25 Marine Noodle Press Machine Drawing PC-25 Marine Noodle Press Machine Parameters Model MT12.5J MT25J MT30J PC-25 PC-30 Press Capacity 12-20kg/h 20-25kg/h 25-30kg/h 20-25kg/h 25-30kg/h Voltage 220V-1PH-50Hz 380/415V-3PH-50Hz 440/480V/3PH-60Hz 220V-1PH-50Hz/60Hz Power(kw) 1.1 1.5 2 1.1 2 Size(mm) 350X350X980 416x360x965 470x360x970 385x360x965 440x360x960 Weight(kg) 75 80 90 80 90	<b>Surface</b>	All stainless steel structure, beautiful and practical, high efficiency of pressing surface 2.
<b>Certificate</b>	ABS, LR, BV, DNVGL, NK, KR, IRS, RMRS, CCS	<b>Warranty</b>	12 Months unless specified otherwise
<b>Origin</b>	China		

CONTENTS		
	■ PC-25 Marine Noodle Press Machine	■ PC-25 Marine Noodle Press Machine Drawing
	■ PC-25 Marine Noodle Press Machine Parameters	

## PC-25 Marine Noodle Press Machine

1. All stainless steel structure, beautiful and practical, high efficiency of pressing surface
2. Smooth operation, low noise, using multi-tooth transmission
3. One machine with multiple functions, can press wide and narrow noodles, dumpling wrappers, wonton wrappers and other kinds of pasta
4. The pressed noodles and gluten have high toughness and strength, are not easily broken and are resistant to cooking
5. Equipped with stainless steel adjustable feet for easy installation

## PC-25 Marine Noodle Press Machine Drawing



## PC-25 Marine Noodle Press Machine Parameters

Model	MT12.5J	MT25J	MT30J	PC-25	PC-30
Press Capacity	12-20kg/h	20-25kg/h	25-30kg/h	20-25kg/h	25-30kg/h
Voltage	220V-1PH-50Hz 380/415V-3PH-50Hz 440/480V/3PH-60Hz			220V-1PH-50Hz/60Hz	
Power(kw)	1.1	1.5	2	1.1	2
Size(mm)	350X350X980	416x360x965	470x360x970	385x360x965	440x360x960
Weight(kg)	75	80	90	80	90