

# Jinbo Marine

Marine & Offshore Equipment Datasheet

PRODUCT DATASHEET

## MARINE KITCHEN GALLEY

# PK-9/L Floor Type Marine Water Boiler

ISO9001 Supplier

Class Certificate

Export Supply

PK-9/L Floor Type Marine Water Boiler&nbsp;1. The outer shell is made of frosted stainless steel, the inner tank is made of high-quality stainless steel 304, and the sewage outlet is set 2. Using microcomputer te...



### Key Highlights

Category	Marine Kitchen Galley
Standard	DIN
Material	SS
Weight / Size	Equipped with stainless steel adjustable feet for easy installation on b...
Certificate	ABS, LR, BV, DNVGL, NK, KR, IRS, RMRS, CCS

We can supply according to your requirement, drawings, class certificate needs, and delivery schedule.



Technical Specifications			
<b>Category</b>	Marine Kitchen Galley	<b>Model / SKU</b>	PK-9-L-Floor-Type-Marine-Water-Boiler
<b>Standard</b>	DIN	<b>Material</b>	SS
<b>Weight / Size</b>	Equipped with stainless steel adjustable feet for easy installation on board PK-9/L Floor Type Marine Water Boiler Drawing PK-9/L Floor Type Marine Water Boiler Parameters Model K1-40/L K1-70/L PK-3/L PK-6/L PK-9/L Volume(L) 40L 70L 24L 42L 66L Voltage 380/415V-3PH-50Hz 440/480v 3ph-60Hz Power(kw) 6 9 3 6 9 Size(mm) 500X540X1580 600X500X1700 370X510X1495 470X510X1620 540X545X1620 Weight(kg) 40 50 26 31 50	<b>Certificate</b>	ABS, LR, BV, DNVGL, NK, KR, IRS, RMRS, CCS
<b>Warranty</b>	12 Months unless specified otherwise	<b>Origin</b>	China

**CONTENTS**

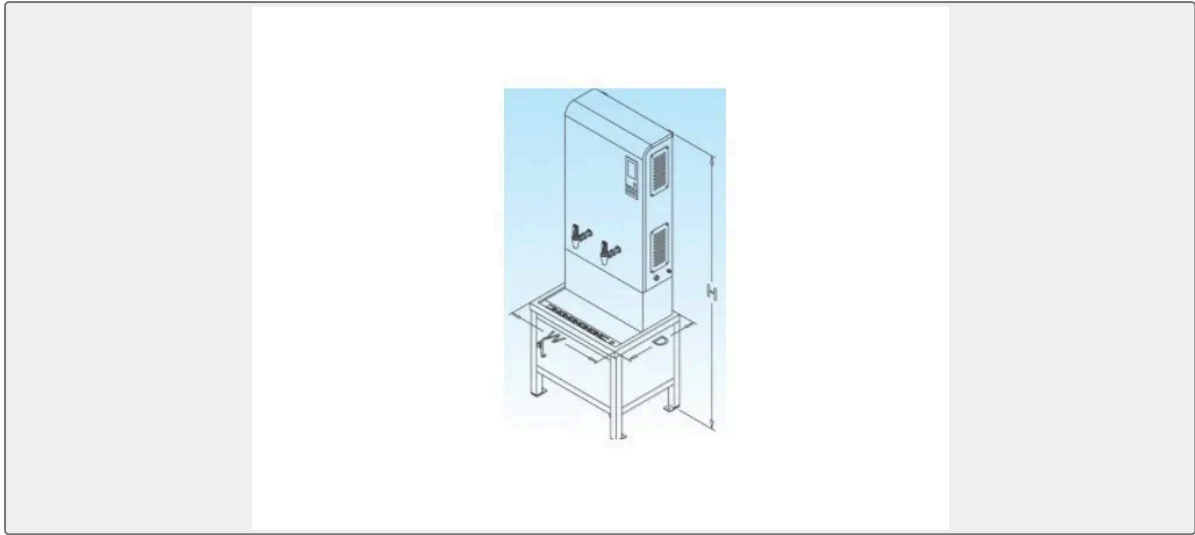
- PK-9/L Floor Type Marine Water Boiler
- PK-9/L Floor Type Marine Water Boiler Drawing
- PK-9/L Floor Type Marine Water Boiler Parameters

## PK-9/L Floor Type Marine Water Boiler

1. The outer shell is made of frosted stainless steel, the inner tank is made of high-quality stainless steel 304, and the sewage outlet is set
2. Using microcomputer technology to control the water intake according to the water temperature and water level, and adopt the principle of successive water intake to quickly heat up
3. Digital temperature control, automatic water inlet, heating and heat preservation
4. Has a complete alarm function, clear at a glance
5. Equipped with stainless steel adjustable feet for easy installation on board



## PK-9/L Floor Type Marine Water Boiler Drawing



## PK-9/L Floor Type Marine Water Boiler Parameters

Model	K1-40/L	K1-70/L	PK-3/L	PK-6/L	PK-9/L
Volume(L)	40L	70L	24L	42L	66L
Voltage	380/415V-3PH-50Hz 440/480v 3ph-60Hz				
Power(kw)	6	9	3	6	9
Size(mm)	500X540X1580	600X500X1700	370X510X1495	470X510X1620	540X545X1620
Weight(kg)	40	50	26	31	50