

SHACKLE

Plate Twist Shackle

D D A B C E F THICKNESS M5 5 23 12.5 ...

- ISO9001 Supplier
- Class Certificate
- Export Supply



Key Highlights

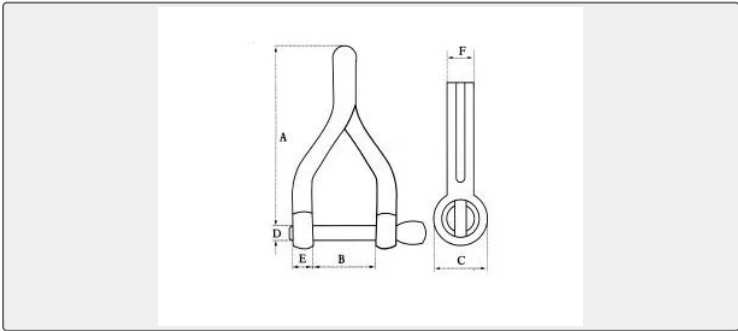
Category	Shackle
Material	Stainless steel
Certificate	ABS, LR, BV, DNVGL, NK, KR, IRS, RMRS, CCS

We can supply according to your requirement, drawings, class certificate needs, and delivery schedule.

Technical Specifications

Category	Shackle	Model / SKU	PLATE-TWIST-SHACKLE
Material	Stainless steel	Certificate	ABS, LR, BV, DNVGL, NK, KR, IRS, RMRS, CCS
Warranty	12 Months unless specified otherwise	Origin	China

China Plate Twist Shackle:



D	D	A	B	C	E	F	THICKNESS
M5	5	23	12.5	12	2	7	..

M6	6	36	15	14.5	3	7.5	3
M8	8	36	18	18.5	4	8	4