

Jinbo Marine

Marine & Offshore Equipment Datasheet

PRODUCT DATASHEET

MARINE KITCHEN GALLEY

PRO04R1FM Marine Stainless Steel Refrigerator

ISO9001 Supplier

Class Certificate

Export Supply

PRO04R1FM Marine Stainless Steel Refrigerator 1. All stainless steel structure 2. Built-in evaporator 3. Equipped with a door lock device and a shelf with adjustable height inside the box 4. Adopt digital ...



Key Highlights

Category	Marine Kitchen Galley
Standard	EN
Material	SS
Weight / Size	Equipped with stainless steel adjustable feet for easy installation on b...
Certificate	ABS, LR, BV, DNVGL, NK, KR, IRS, RMRS, CCS

We can supply according to your requirement, drawings, class certificate needs, and delivery schedule.

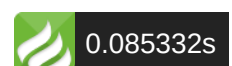


Technical Specifications			
Category	Marine Kitchen Galley	Model / SKU	PRO04R1FM-Marine-Stainless-Steel-Refrigerator
Standard	EN	Material	SS
Weight / Size	Equipped with stainless steel adjustable feet for easy installation on board PRO04R1FM Marine Stainless Steel Refrigerator Drawing PRO04R1FM Marine Stainless Steel Refrigerator Parameters Model PRO03R1FM PRO04R1FM PRO05R1FM PRO10R1FM PRO15R1FM Volume(L) 300 400 500 1000 1500 Voltage 220v-1PH-50Hz/60Hz Power(kw) 0.2 0.25 0.45 0.49 0.85 Size(mm) 600X600X1900 620X760X1950 700X760X1950 1220X760X1950 1810X760X1980 Weight(kg) 90 100 110 260 390	Certificate	ABS, LR, BV, DNVGL, NK, KR, IRS, RMRS, CCS
Warranty	12 Months unless specified otherwise	Origin	China

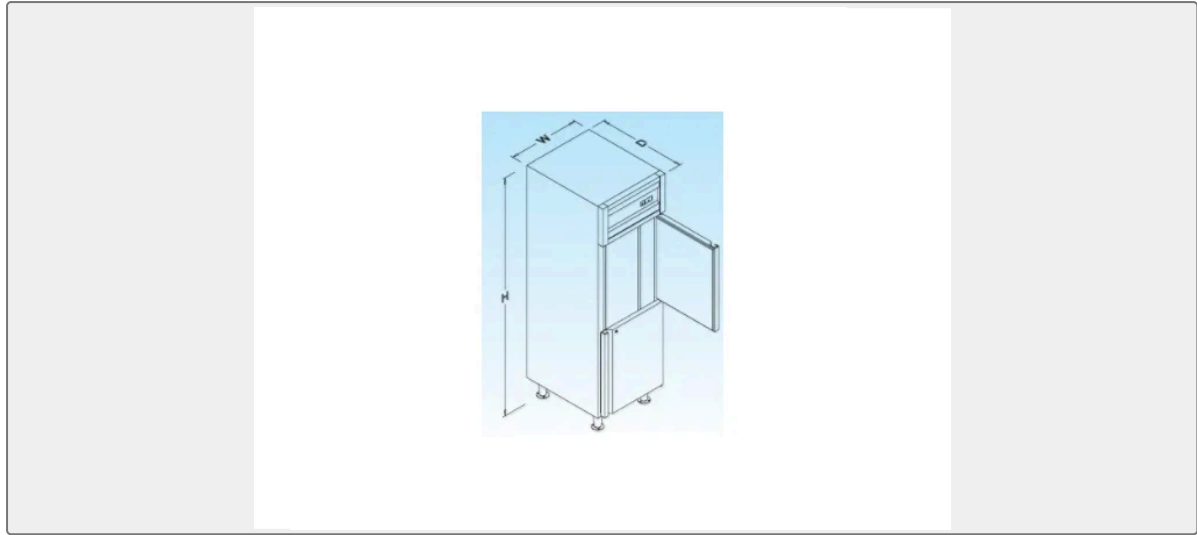
CONTENTS	<ul style="list-style-type: none"> ■ PRO04R1FM Marine Stainless Steel Refrigerator ■ PRO04R1FM Marine Stainless Steel Refrigerator Parameters 	<ul style="list-style-type: none"> ■ PRO04R1FM Marine Stainless Steel Refrigerator Drawing
-----------------	-----------------------------------------------------------------------------------------------------------------------------------------------------------------------	-----------------------------------------------------------------------------------------------------------

PRO04R1FM Marine Stainless Steel Refrigerator

1. All stainless steel structure
2. Built-in evaporator
3. Equipped with a door lock device and a shelf with adjustable height inside the box
4. Adopt digital display control
5. Use world-famous marine compressors and environmentally friendly refrigerants
6. Equipped with stainless steel adjustable feet for easy installation on board



PRO04R1FM Marine Stainless Steel Refrigerator Drawing



PRO04R1FM Marine Stainless Steel Refrigerator Parameters

Model	PRO03R1FM	PRO04R1FM	PRO05R1FM	PRO10R1FM	PRO15R1FM
Volume(L)	300	400	500	1000	1500
Voltage	220v-1PH-50Hz/60Hz				
Power(kw)	0.2	0.25	0.45	0.49	0.85
Size(mm)	600X600X1900	620X760X1950	700X760X1950	1220X760X1950	1810X760X1980
Weight(kg)	90	100	110	260	390