


**CHAIN SLING**

# PSA-16 Duplex Stainless Steel Eye Bolt

PSA-16 Duplex Stainless Steel Eye Bolt Drawing PSA-16 Duplex Stainless Steel Eye Bolt Parameters Model Number Weight/kg Tech...

- ISO9001 Supplier
- Class Certificate
- Export Supply

	<p><b>Key Highlights</b></p> <table border="1" style="width: 100%; border-collapse: collapse;"> <tr> <td style="background-color: #1a3d4d; color: white; padding: 5px;"><b>Category</b></td> <td style="padding: 5px;">Chain Sling</td> </tr> <tr> <td style="background-color: #1a3d4d; color: white; padding: 5px;"><b>Material</b></td> <td style="padding: 5px;">PSA-16 Duplex Stainless Steel Eye Bolt Drawing PSA-16 Duplex Stainless S...</td> </tr> <tr> <td style="background-color: #1a3d4d; color: white; padding: 5px;"><b>Weight / Size</b></td> <td style="padding: 5px;">PSA-16 Duplex Stainless Steel Eye Bolt Drawing PSA-16 Duplex Stainless S...</td> </tr> <tr> <td style="background-color: #1a3d4d; color: white; padding: 5px;"><b>Certificate</b></td> <td style="padding: 5px;">ABS, LR, BV, DNVGL, NK, KR, IRS, RMRS, CCS</td> </tr> </table> <p style="font-size: small; margin-top: 10px;">We can supply according to your requirement, drawings, class certificate needs, and delivery schedule.</p>	<b>Category</b>	Chain Sling	<b>Material</b>	PSA-16 Duplex Stainless Steel Eye Bolt Drawing PSA-16 Duplex Stainless S...	<b>Weight / Size</b>	PSA-16 Duplex Stainless Steel Eye Bolt Drawing PSA-16 Duplex Stainless S...	<b>Certificate</b>	ABS, LR, BV, DNVGL, NK, KR, IRS, RMRS, CCS
<b>Category</b>	Chain Sling								
<b>Material</b>	PSA-16 Duplex Stainless Steel Eye Bolt Drawing PSA-16 Duplex Stainless S...								
<b>Weight / Size</b>	PSA-16 Duplex Stainless Steel Eye Bolt Drawing PSA-16 Duplex Stainless S...								
<b>Certificate</b>	ABS, LR, BV, DNVGL, NK, KR, IRS, RMRS, CCS								

Technical Specifications			
<b>Category</b>	Chain Sling	<b>Model / SKU</b>	PSA-16-Duplex-Stainless-Steel-Eye-Bolt
<b>Material</b>	PSA-16 Duplex Stainless Steel Eye Bolt Drawing PSA-16 Duplex Stainless Steel Eye Bolt Parameters Model Number Weight/kg Technical/mm B C PSA-16 3 0.3 14 14 PSA-16L 3 0.45 14 14 Model Technical/mm E K T PSA-16 35 67 32.5 PSA-16L 35 67 32.5 Model Technical/mm L M S PSA-16 25 16 10 PSA-16L 120 16 10	<b>Weight / Size</b>	PSA-16 Duplex Stainless Steel Eye Bolt Drawing PSA-16 Duplex Stainless Steel Eye Bolt Parameters Model Number Weight/kg Technical/mm B C PSA-16 3 0.3 14 14 PSA-16L 3 0.45 14 14 Model Technical/mm E K T PSA-16 35 67 32.5 PSA-16L 35 67 32.5 Model Technical/mm L M S PSA-16 25 16 10 PSA-16L 120 16 10
<b>Certificate</b>	ABS, LR, BV, DNVGL, NK, KR, IRS, RMRS, CCS	<b>Warranty</b>	12 Months unless specified otherwise
<b>Origin</b>	China		

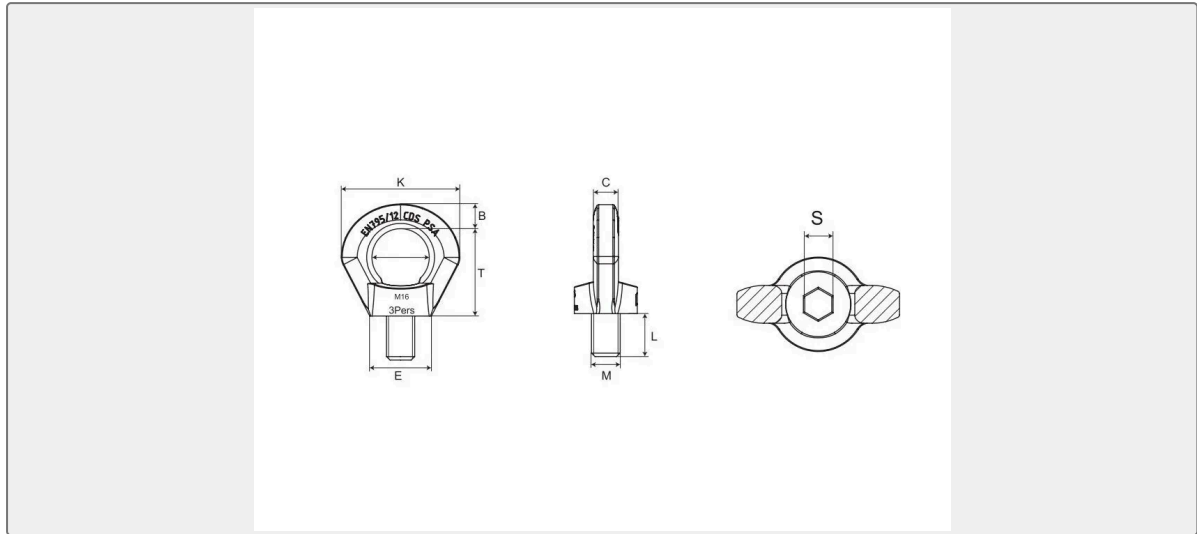


## CONTENTS

■ PSA-16 Duplex Stainless Steel Eye Bolt Drawing

■ PSA-16 Duplex Stainless Steel Eye Bolt Parameters

## PSA-16 Duplex Stainless Steel Eye Bolt Drawing



## PSA-16 Duplex Stainless Steel Eye Bolt Parameters

Model	Number	Weight/kg	Technical/mm	
			B	C
PSA-16	3	0.3	14	14
PSA-16L	3	0.45	14	14

Model	Technical/mm		
	E	K	T
PSA-16	35	67	32.5
PSA-16L	35	67	32.5

Model	Technical/mm		
	L	M	S
PSA-16	25	16	10
PSA-16L	120	16	10