


CHAIN SLING

PSA-16L Duplex Stainless Steel Eye Bolt

- ISO9001 Supplier
- Class Certificate
- Export Supply

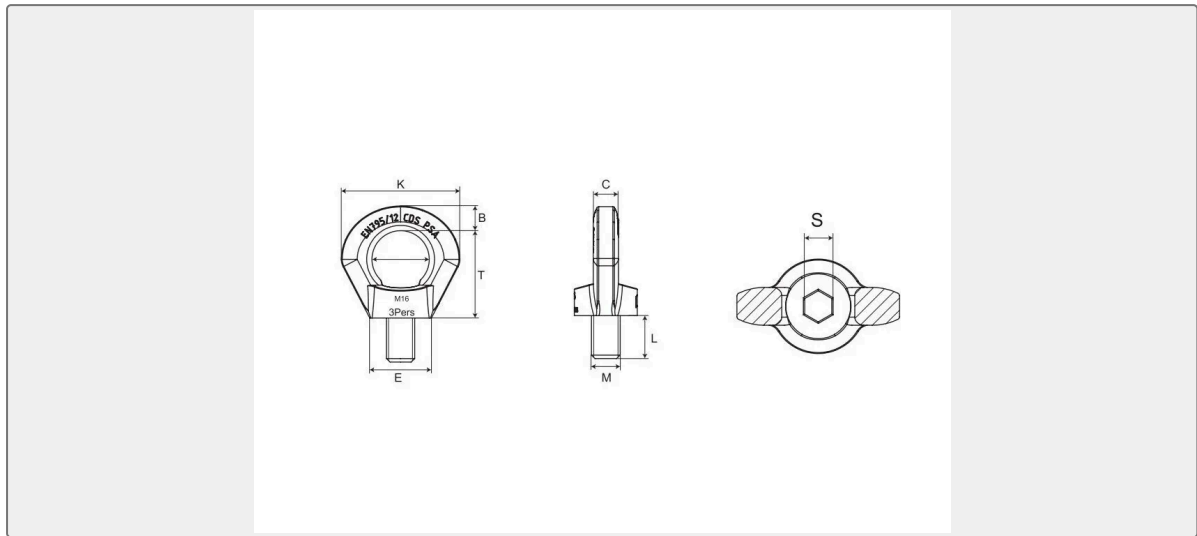
PSA-16L Duplex Stainless Steel Eye Bolt
 Parameters Model Number Weight/kg Tec...

	<h3 style="margin: 0;">Key Highlights</h3> <table style="width: 100%; border-collapse: collapse;"> <tr> <td style="background-color: #1a3d4d; color: white; padding: 5px;">Category</td> <td style="padding: 5px;">Chain Sling</td> </tr> <tr> <td style="background-color: #1a3d4d; color: white; padding: 5px;">Material</td> <td style="padding: 5px;">PSA-16L Duplex Stainless Steel Eye Bolt PSA-16L Duplex Stainless Steel E...</td> </tr> <tr> <td style="background-color: #1a3d4d; color: white; padding: 5px;">Weight / Size</td> <td style="padding: 5px;">PSA-16L Duplex Stainless Steel Eye Bolt PSA-16L Duplex Stainless Steel E...</td> </tr> <tr> <td style="background-color: #1a3d4d; color: white; padding: 5px;">Certificate</td> <td style="padding: 5px;">ABS, LR, BV, DNVGL, NK, KR, IRS, RMRS, CCS</td> </tr> </table> <p style="font-size: small; margin-top: 10px;">We can supply according to your requirement, drawings, class certificate needs, and delivery schedule.</p>	Category	Chain Sling	Material	PSA-16L Duplex Stainless Steel Eye Bolt PSA-16L Duplex Stainless Steel E...	Weight / Size	PSA-16L Duplex Stainless Steel Eye Bolt PSA-16L Duplex Stainless Steel E...	Certificate	ABS, LR, BV, DNVGL, NK, KR, IRS, RMRS, CCS
Category	Chain Sling								
Material	PSA-16L Duplex Stainless Steel Eye Bolt PSA-16L Duplex Stainless Steel E...								
Weight / Size	PSA-16L Duplex Stainless Steel Eye Bolt PSA-16L Duplex Stainless Steel E...								
Certificate	ABS, LR, BV, DNVGL, NK, KR, IRS, RMRS, CCS								

Technical Specifications			
Category	Chain Sling	Model / SKU	PSA-16L-Duplex-Stainless-Steel-Eye-Bolt
Material	PSA-16L Duplex Stainless Steel Eye Bolt PSA-16L Duplex Stainless Steel Eye Bolt Parameters Model Number Weight/kg Technical/mm B C PSA-16 3 0.3 14 14 PSA-16L 3 0.45 14 14 Model Technical/mm E K T PSA-16 35 67 32.5 PSA-16L 35 67 32.5 Model Technical/mm L M S PSA-16 25 16 10 PSA-16L 120 16 10	Weight / Size	PSA-16L Duplex Stainless Steel Eye Bolt PSA-16L Duplex Stainless Steel Eye Bolt Parameters Model Number Weight/kg Technical/mm B C PSA-16 3 0.3 14 14 PSA-16L 3 0.45 14 14 Model Technical/mm E K T PSA-16 35 67 32.5 PSA-16L 35 67 32.5 Model Technical/mm L M S PSA-16 25 16 10 PSA-16L 120 16 10
Certificate	ABS, LR, BV, DNVGL, NK, KR, IRS, RMRS, CCS	Warranty	12 Months unless specified otherwise
Origin	China		



PSA-16L Duplex Stainless Steel Eye Bolt



PSA-16L Duplex Stainless Steel Eye Bolt Parameters

Model	Number	Weight/kg	Technical/mm	
			B	C
PSA-16	3	0.3	14	14
PSA-16L	3	0.45	14	14

Model	Technical/mm		
	E	K	T
PSA-16	35	67	32.5
PSA-16L	35	67	32.5

Model	Technical/mm		
	L	M	S
PSA-16	25	16	10
PSA-16L	120	16	10