

ROPE THIMBLES

Pulley Block -Type F (With Pin Rivet And Bracket) Nylon Sheave

A mm B mm C mm D mm E mm 8.8 10.3 1.15 59.3 25.5

ISO9001 Supplier

Class Certificate

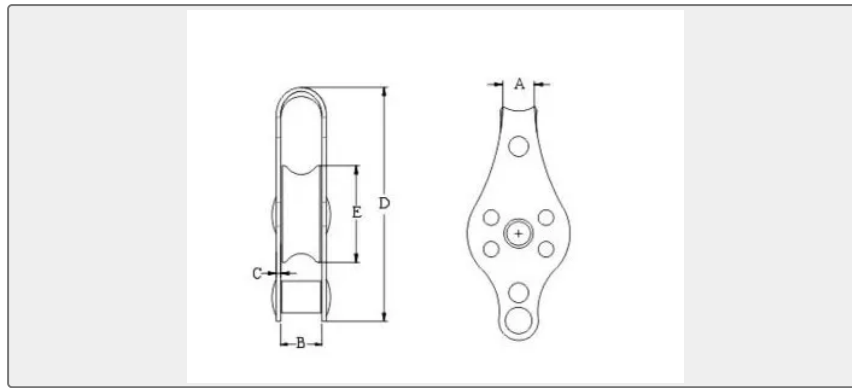
Export Supply



Key Highlights

Category	Rope Thimbles
Material	Stainless steel
Certificate	ABS, LR, BV, DNVGL, NK, KR, IRS, RMRS, CCS
<p>We can supply according to your requirement, drawings, class certificate needs, and delivery schedule.</p>	

Technical Specifications			
Category	Rope Thimbles	Model / SKU	PULLEY-BLOCK-TYPE-F-WITH-PIN-RIVET-AND-BRACKET-NYLON-SHEAVE
Material	Stainless steel	Certificate	ABS, LR, BV, DNVGL, NK, KR, IRS, RMRS, CCS
Warranty	12 Months unless specified otherwise	Origin	China

China Pulley Block -Type F (With Pin Rivet And Bracket) Nylon Sheave:

A mm	B mm	C mm	D mm	E mm
8.8	10.3	1.15	59.3	25.5