

Jinbo Marine

Marine & Offshore Equipment Datasheet


PRODUCT DATASHEET

CONNECTORS

Pear Link

The Pear Shaped connecting link is similar to the connecting link kenter type, the difference is that the pear shape connecting link connect two pieces of mooring line, which have different size.

- ISO9001 Supplier
- Class Certificate
- Export Supply



Key Highlights

Category	Connectors
Standard	EN
Weight / Size	The Pear connecting link is similar to the connecting link kenter type, ...
Certificate	ABS, LR, BV, GL, RINA, DNV, NK, KR, CCS

We can supply according to your requirement, drawings, class certificate needs, and delivery schedule.

Technical Specifications			
Category	Connectors	Model / SKU	Pear-Link
Standard	EN	Weight / Size	The Pear connecting link is similar to the connecting link kenter type, the difference is that the pear shape connecting link connect two pieces of mooring line, which have different size.
Certificate	ABS, LR, BV, GL, RINA, DNV, NK, KR, CCS	Warranty	12 Months unless specified otherwise
Origin	China		

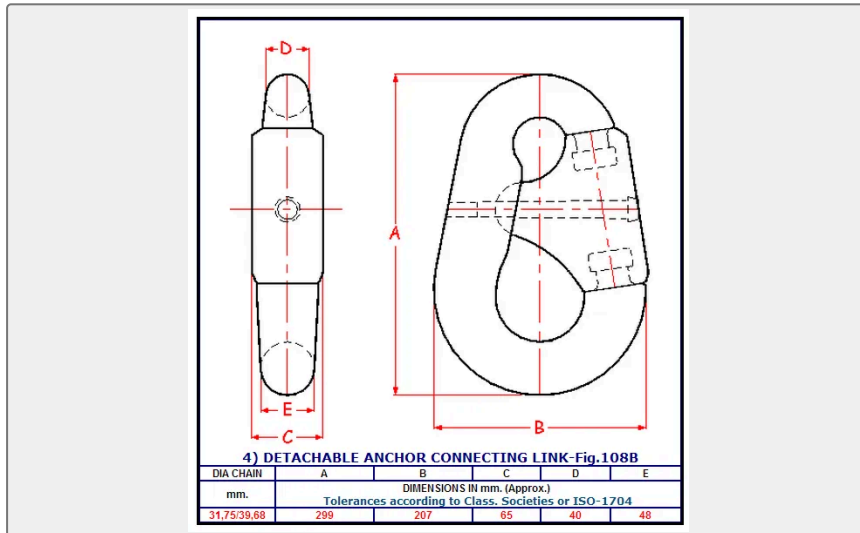
China Pear Link:

The Pear connecting link is similar to the connecting link kenter type, the difference is that the pear shape connecting link connect two pieces of mooring line, which have different size.

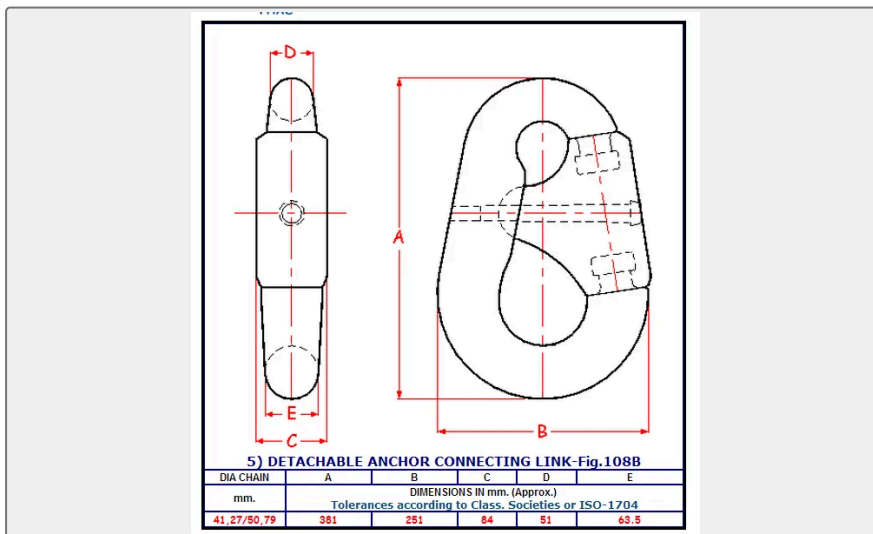




NO. 4 Pear Link

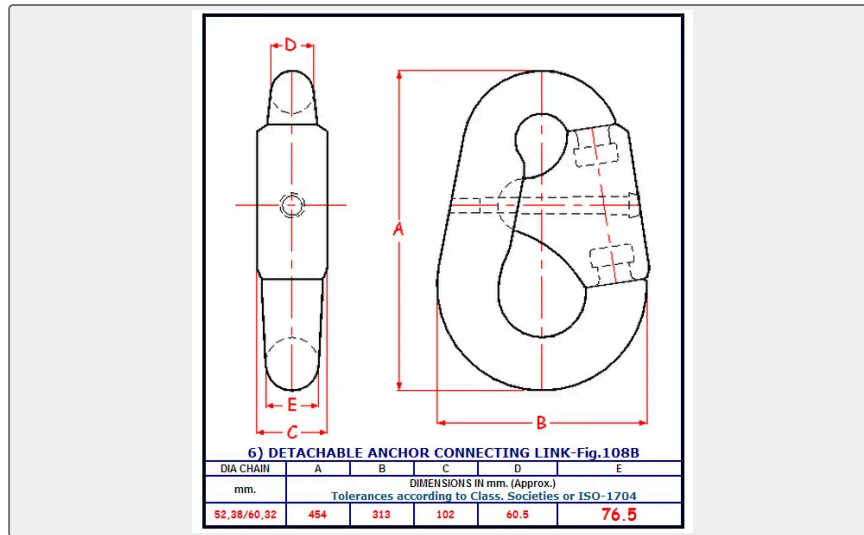


NO. 5 Pear Link

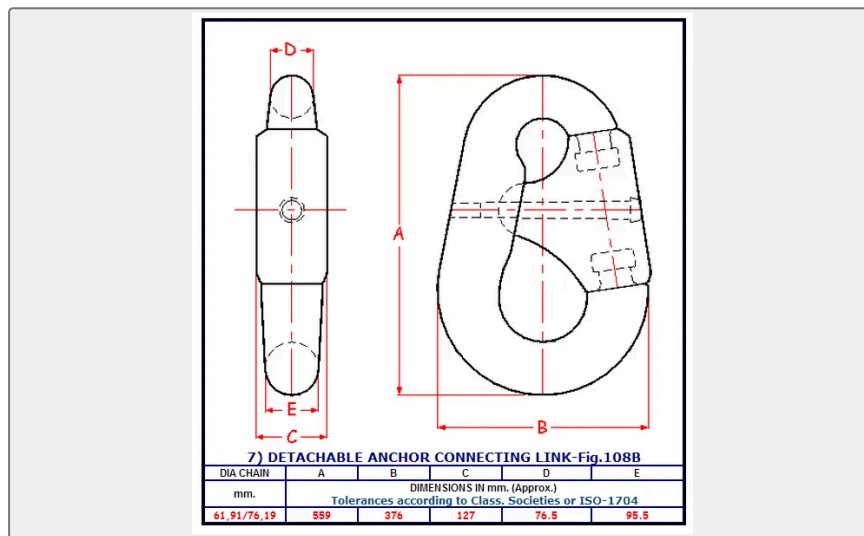


NO. 6 Pear Link

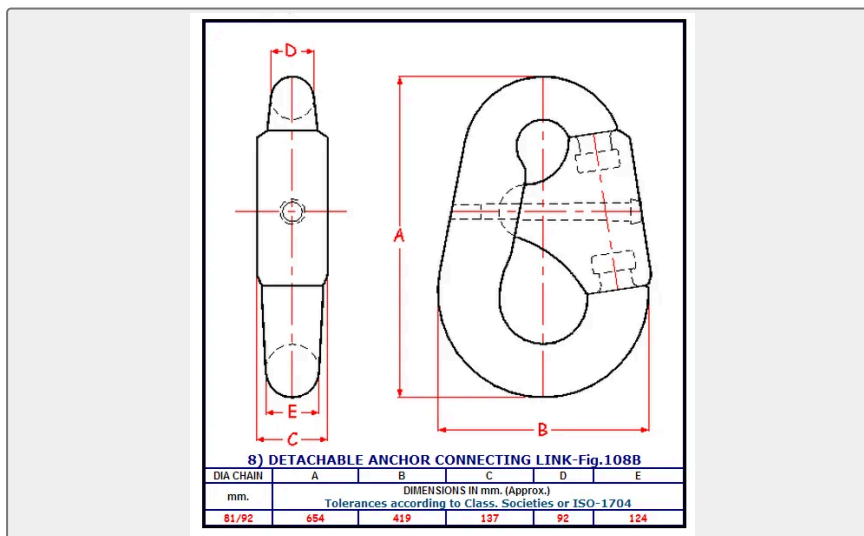




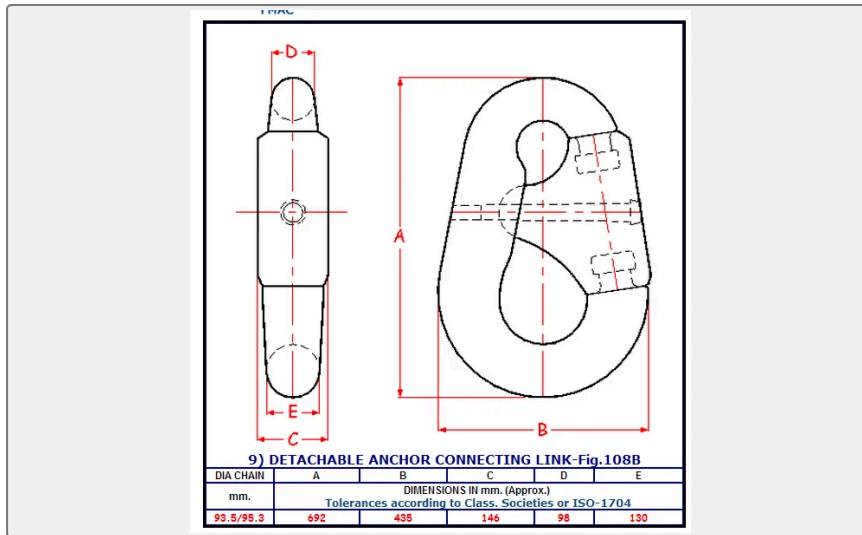
NO. 7 Pear Link



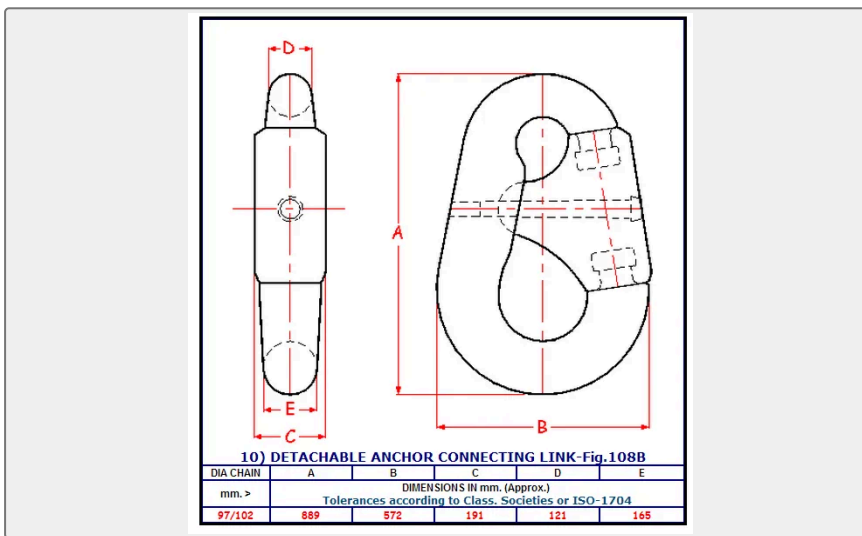
NO. 8 Pear Link



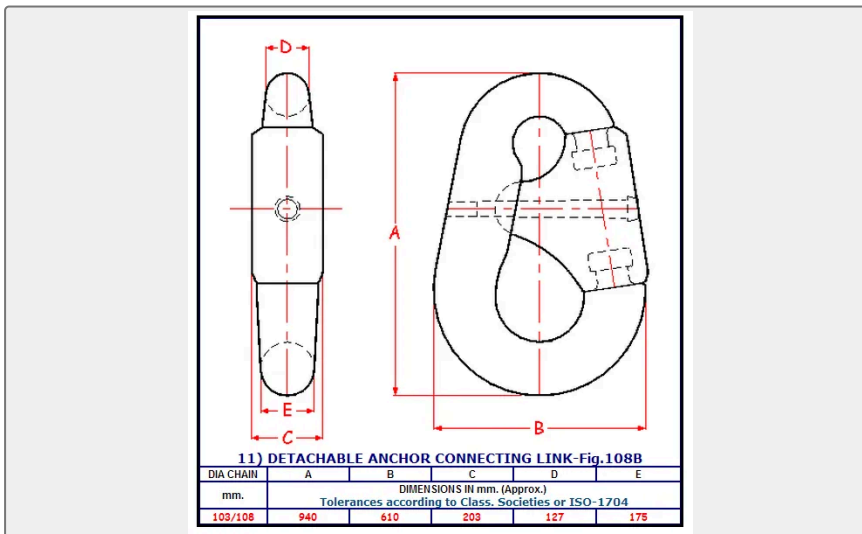
NO. 9 Pear Link



NO. 10 Pear Link



NO. 11 Pear Link



NO. 12 Pear Link



