

Jinbo Marine

Marine & Offshore Equipment Datasheet


PRODUCT DATASHEET

CHAIN CHASER

Permanent Chain Chaser

As a practical alternative to the buoy and pennant, permanent chain chasers were introduced. The pear shaped permanent chasers with shackle eye are in widespread use with semi-submersible drilling rigs. The design of th...

- ISO9001 Supplier
- Class Certificate
- Export Supply



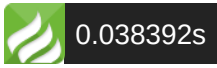
Key Highlights

Category	Chain Chaser
Standard	DIN
Weight / Size	Permanent Chain Chaser Pull Load(Ton) SWL(Ton) Dimensions (mm) A B C D E...
Certificate	mill certificate

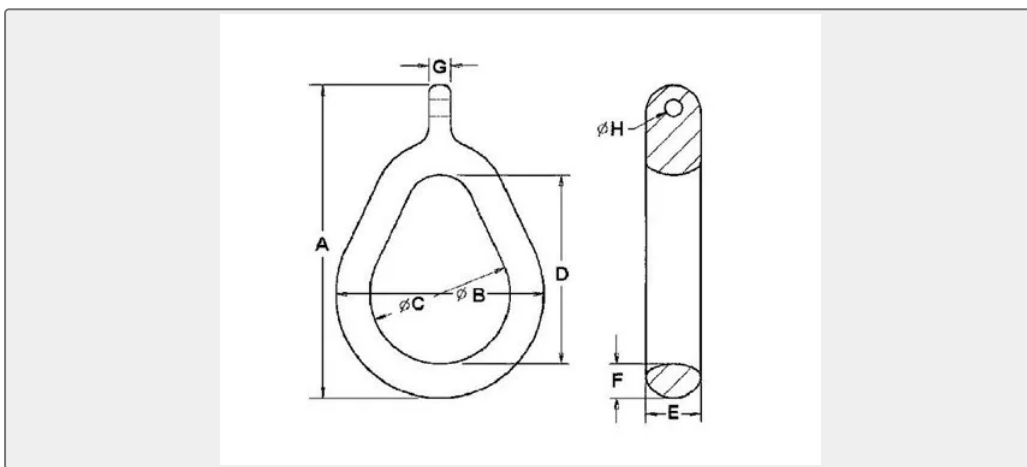
We can supply according to your requirement, drawings, class certificate needs, and delivery schedule.

Technical Specifications			
Category	Chain Chaser	Model / SKU	Permanent-Chain-Chaser
Standard	DIN	Weight / Size	Permanent Chain Chaser Pull Load(Ton) SWL(Ton) Dimensions (mm) A B C D E F G H 250 130 1867 1244 838 1130 330 203 130 100 400 250 2040 1360 838 1130 406 300 191 165
Certificate	mill certificate	Warranty	12 Months unless specified otherwise
Origin	China		

CONTENTS	<ul style="list-style-type: none"> ■ China Permanent Chain Chaser: 	<ul style="list-style-type: none"> ■ Feature:
-----------------	---	--



China Permanent Chain Chaser:



As a practical alternative to the buoy and pennant, permanent chain chasers were introduced. The pear shaped permanent chasers with shackle eye are in widespread use with semi-submersible drilling rigs. The design of these chasers offered superior sliding and penetration properties. It is suitable for use with most single shank anchors such as Stevin, LWT, Danforth, Moorfast, AC-14 etc.

Feature:

1. Excellent quality and competitive price .
2. Durable, long lifetime.
3. Standard or customerized.
4. All products can be designed according to customers requirements.

If you want to get more information, please feel free to contact us.

Permanent Chain Chaser									
Pull Load(Ton)	SWL(Ton)	Dimensions (mm)							
		A	B	C	D	E	F	G	H
250	130	1867	1244	838	1130	330	203	130	100
400	250	2040	1360	838	1130	406	300		

