

Jinbo Marine

Marine & Offshore Equipment Datasheet

PRODUCT DATASHEET

QUICK RELEASE DISC TYPE TOWING HOOK

Pneumatic Control Disc type Towing Hook

ISO9001 Supplier

Class Certificate

Export Supply

 Brief description: Type:Pneumatic control disc type towing hook Popular model:5~7 ton,8~15 ton,16~25 ton,30~45 ton,50~65 ton,70~100 ton. Material: Including Q235-A material,35# steel,...



Key Highlights

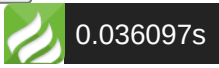
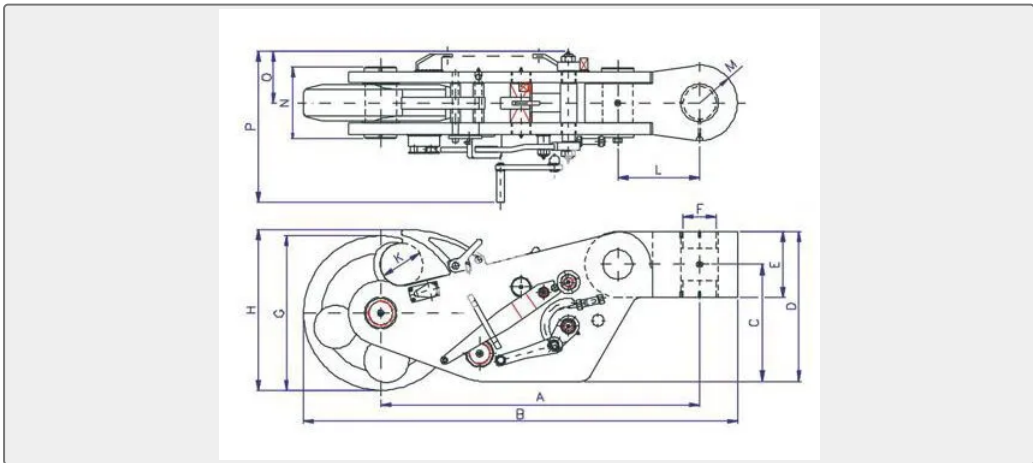
Category	Quick Release Disc Type Towing Hook
Standard	DIN
Material	Including Q235-A material,35# steel,45 # steel,45Cr, EH36, 65Mn, Q345.Th...
Weight / Size	Safe working load(Kn) Test load(Kn) Release load(Kn) Weight(kg) A B C D ...
Certificate	CCS,BV ABS ,GL certificate etc can be provide.

We can supply according to your requirement, drawings, class certificate needs, and delivery schedule.



Technical Specifications			
Category	Quick Release Disc Type Towing Hook	Model / SKU	Pneumatic-Control-Disc-type-Towing-Hook
Standard	DIN	Material	Including Q235-A material,35# steel,45 # steel,45Cr, EH36, 65Mn, Q345.The goods can be designed according to your requirements.
Weight / Size	Safe working load(Kn) Test load(Kn) Release load(Kn) Weight(kg) A B C D E F G H K L M N O P PDH-001 70 140 70 79 512 712 185 235 100 45 280 291 65 125 60 112 97 260 PDH-002 150 300 150 174 670 905 255 325 140 60 340 377 100 250 65 144 106 284 PDH-003 250 500 250 414 923 1238 355 445 180 80 470 491 130 200 81 186 124 427 PDH-004 450 900 450 534 973 1323 355 455 200 100 470 190 130 200 115 218 158 462 PDH-005 650 1300 650 918 1173 1598 454 464 220 110 600 608 162 250 125 256 173 487 PDH-006 1000 1500 1000 1282 1068 1750 492 632 280 135 650 668 176 290 135 288 182 530 Available type:	Certificate	CCS,BV ABS ,GL certificate etc can be provide.
Warranty	12 Months unless specified otherwise	Origin	China

CONTENTS	■ Brief description:	■ Material:
	■ Specification:	■ Available type:



Brief description:

Type:Pneumatic control **disc type towing hook**

Popular model:5~7 ton,8~15 ton,16~25 ton,30~45 ton,50~65 ton,70~100 ton.

Material:

Including Q235-A material,35# steel,45 # steel,45Cr, EH36, 65Mn, Q345.The goods can be designed according to your requirements.

All moving parts are provided with grease nipples(M8)

Certificate:CCS,BV ABS ,DNV,GL,LR certificate etc can be provide.

Accessories

FRL Unit(Ball valve, Regulator, Pressure gauge and filter)

Pneumatic Box

Push button switch for installation on Pneumatic box which can put in wheelhouse.

Solenoid:24V DC 3/2Valve

Length of Rubber Hose:20M

Specification:

Product No.	Safe working load(Kn)	Test load(Kn)	Release load(Kn)	Weight(kg)	A	B	C	D	E	F	G	H	K	L	M	N	O	P
PDH-001	70	140	70	79	51 2	71 2	18 5	23 5	10 0	45	28 0	29 1	65	1 2 5	60	11 2	97	26 0
PDH-002	150	300	150	174	67 0	90 5	25 5	32 5	14 0	60	34 0	37 7	10 0	2 5 0	65	14 4	10 6	28 4
PDH-003	250	500	250	414	92 3	12 38	35 5	44 5	18 0	80	47 0	49 1	13 0	2 0 0	81	18 6	12 4	42 7
PDH-004	450	900	450	534	97 3	13 23	35 5	45 5	20 0	10 0	47 0	19 0	13 0	2 0 0	11 5	21 8	15 8	46 2
PDH-005	650	1300	650	918	11 73	15 98	45 4	46 4	22 0	11 0	60 0	60 8	16 2	2 5 0	12 5	25 6	17 3	48 7
PDH-006	1000	1500	1000	1282	10 68	17 50	49 2	63 2	28 0	13 5	65 0	66 8	17 6	2 9 0	13 5	28 8	18 2	53 0

Available type:

Manual release spring towing hook



0.036097s

Pneumatic control spring towing hook
Manual release disc type towing hook
Pneumatic control disc type towing hook
Manual release harbour type towing hook
Pneumatic control harbour type towing hook
Single hook assembly
Double hook assembly
Triple hook assembly
Quardruple hook assembly
Pelican hook