

QUICK RELEASE HARBOUR TYPE TOWING HOOK

Pneumatic Control Harbour Type Towing Hook

ISO9001 Supplier

Class Certificate

Export Supply

 Brief description: Popular model:15 ton, 30 ton, 45 ton, 56 ton,100 ton etc.
 Certificate:CCS,BV, ABS ,DNV,GL,LR,mill certificate etc can be provide. Feature: Smooth surfac...



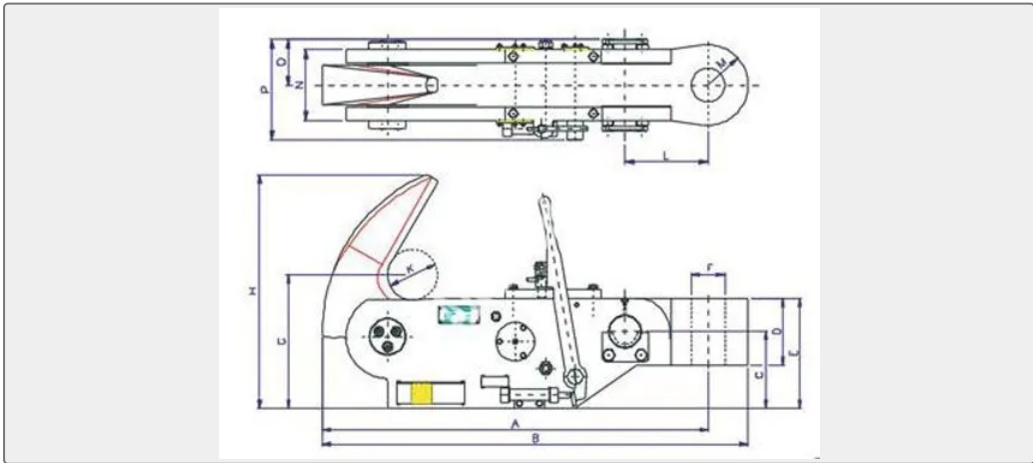
Key Highlights

Category	Quick Release Harbour Type Towing Hook
Standard	EN
Material	Including Q235-A material,35# steel,45 # steel,45Cr, EH36, 65Mn, Q345.Th...
Weight / Size	Safe working load(Kn) Test load(Kn) Release load(Kn) Weight(kg) A B C D ...
Certificate	CCS,BV, ABS ,GL,mill certificate etc can be provide.

We can supply according to your requirement, drawings, class certificate needs, and delivery schedule.

Technical Specifications			
Category	Quick Release Harbour Type Towing Hook	Model / SKU	Pneumatic-Control-Harbour-Type-Towing-Hook
Standard	EN	Material	Including Q235-A material,35# steel,45 # steel,45Cr, EH36, 65Mn, Q345.The goods can be designed according to your requirements.
Weight / Size	Safe working load(Kn) Test load(Kn) Release load(Kn) Weight(kg) A B C D E F G H K L M N N P PHH-001 150 300 150 52 521 571 100 100 150 40 174 316 65 110 50 100 100 150 PHH-002 300 600 300 143 788 868 160 130 225 60 268 461 96 180 80 125 125 207 PHH-003 450 900 450 289 1023 1123 200 160 260 80 350 616 130 210 100 148 148 224 PHH-004 562 1125 562 352 1073 1183 200 180 290 90 350 616 130 250 110 170 170 245 PHH-005 1000 1500 1000 526 1159 1279 230 200 330 100 400 700 150 250 120 212 212 333	Surface	Smooth surface.
Certificate	CCS,BV, ABS ,GL,mill certificate etc can be provide.	Warranty	12 Months unless specified otherwise
Origin	China		

CONTENTS	■ Brief description:	■ Feature:
	■ Specification:	



Brief description:

Popular model:15 ton, 30 ton, 45 ton, 56 ton,100 ton etc.

Certificate:CCS,BV, ABS ,DNV,GL,LR,mill certificate etc can be provide.

Feature:

Smooth surface.

Easy to handle and low maintenance.

Safe handling and releasing with a small manual effort.

Applications:

Container berth,General cargo berth,Offshore dock,Ferry dock etc.

Work principle:Leverage.

Ensure the hook and hook knife tight junctions before use it, and make the crankshaft in the working state.

Specification:

Product No.	Safe working load(Kn)	Test load(Kn)	Release load(Kn)	Weight(kg)	A	B	C	D	E	F	G	H	K	L	M	N	N	P
PHH-001	150	300	150	52	521	571	100	100	150	40	174	316	65	110	50	100	100	150
PHH-002	300	600	300	143	788	868	160	130	225	60	268	461	96	180	80	125	125	207
PHH-003	450	900	450	289	1023	1123	200	160	260	80	350	616	130	210	100	148	148	224
PHH-004	562	1125	562	352	1073	1183	200	180	290	90	350	616	130	250	110	170	170	245
PHH-005	1000	1500	1000	526	1159	1279	230	200	330	100	400	700	150	250	120	212	212	333