

Jinbo Marine

Marine & Offshore Equipment Datasheet

PRODUCT DATASHEET

TANK WASHING MACHINE

Portable Tank Washing Machine

The tank washing machine are used for the crude oil washing system or similar system.
 Design Standard: GB/T11715-89 Material: 316L Certificate: CCS Working Pressure: 0.6-1.2MPa Flow Rate: 10...

- ISO9001 Supplier
- Class Certificate
- Export Supply



Key Highlights

Category	Tank Washing Machine
Standard	DIN
Material	Stainless Steel 316L
Certificate	CCS

We can supply according to your requirement, drawings, class certificate needs, and delivery schedule.

Technical Specifications

Category	Tank Washing Machine	Model / SKU	Portable-Tank-Washing-Machine
Standard	DIN	Material	Stainless Steel 316L
Certificate	CCS	Warranty	12 Months unless specified otherwise
Origin	China		

CONTENTS	■ China Portable Tank Washing Machine:	■ Installment Form:
	■ Apperance Dimesion:	■ Model & Specification:

China Portable Tank Washing Machine:

The tank washing machine are used for the crude oil washing system or similar system.

Design Standard: GB/T11715-89

Material: 316L

Certificate: CCS



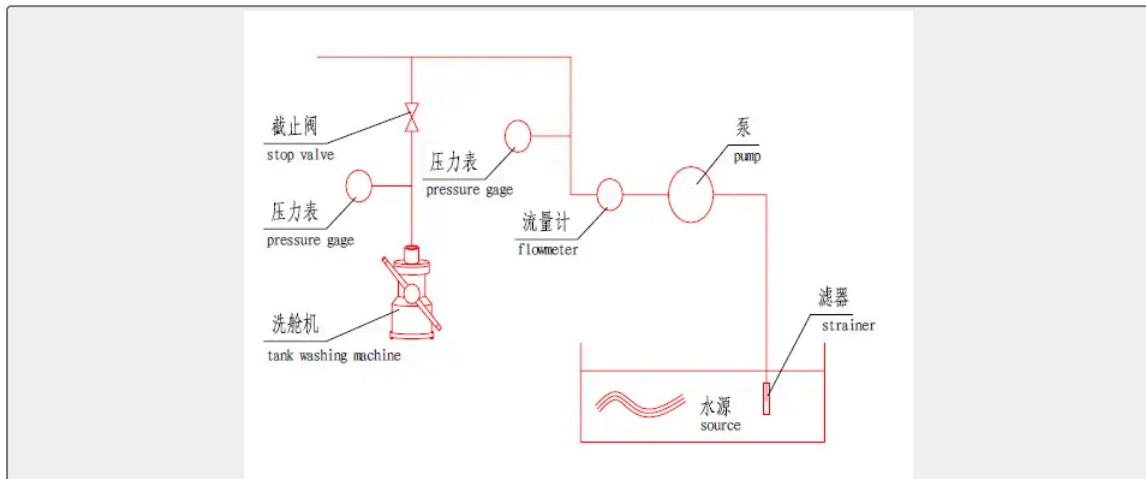
Working Pressure: 0.6-1.2MPa

Flow Rate: 10~40m³/h

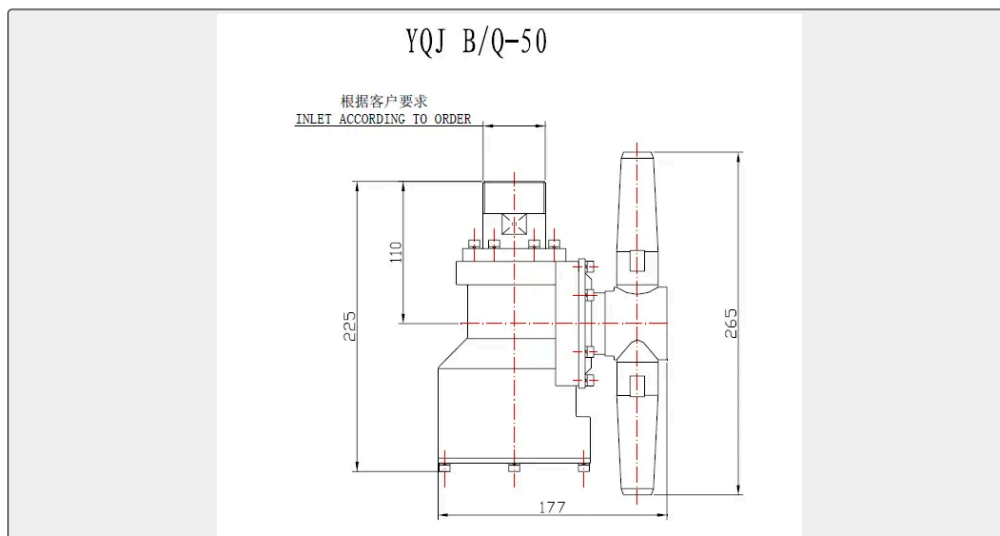
Working Temperature: from ordinary to -80°C

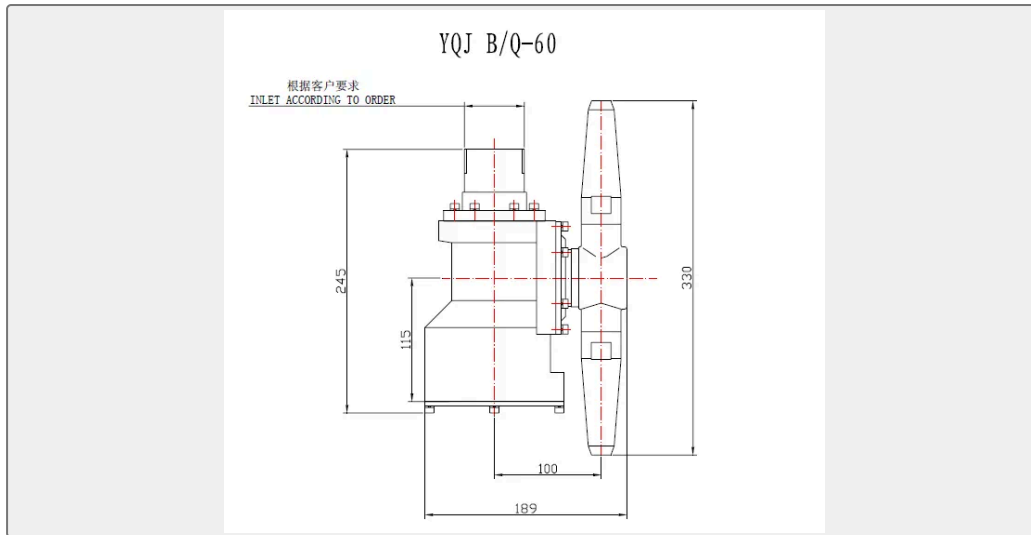
* There are optional parts for portable tank washing machine, such as hose saddle, hoses, hose coupling.

Installment Form:



Apperance Dimesion:





Model & Specification:

Model	Nozzle (mm)	Working Pressure	Flow (m ³ /h)		Range	
			Rated	Deviation	Rated	Deviation
YQJ7B-50	7	0.8	12	±5%	10.5	0-10%
		0.7	11		9.5	
		0.6	10		8.5	
YQJ8B-50	8	0.8	13	±5%	12	0-10%
		0.7	12		11	
		0.6	11		10	
YQJ9B-50	9	0.8	14	±5%	13	0-10%
		0.7	13		12	
		0.6	12		11	
YQJ10B-50	10	0.8	16	±5%	14	0-10%
		0.7	15		13	
		0.6	14		12	
YQJ11B-60	11	0.8	26	±5%	15	0-10%
		0.7	24		13	
		0.6	21		12	
YQJ12B-60	12	0.8	29	±5%	16	0-10%
		0.7	27		14	
		0.6	24		13	

YQJ13B-60	13	0.8	33	±5%	18	0-10%
		0.7	30		16	
		0.6	27		15	
YQJ14B-60	14	0.8	36	±5%	20	0-10%
		0.7	33		18	
		0.6	30		16	