

Jinbo Marine

Marine & Offshore Equipment Datasheet

PRODUCT DATASHEET

CB MARINE PRESSURE REDUCING VALVE

Pressure Relief Valve CB/T3843-2000

Pressure Relief Valve is used as the pressure overload protection in the marine fuel oil system and marine water system. Design Standard: CB/T3843-2000 Flange Connection Size as per GB/T2501 Working Pre...

ISO9001 Supplier

Class Certificate

Export Supply



Key Highlights

Category	CB Marine Pressure Reducing Valve
Standard	GB
Material	Cast Iron
Weight / Size	CB/T3843-2000 Flange Connection Size as per GB/T2501 Working Pressure:
Certificate	CCS, BV, ABS, GL, LR, DNV, NK,RINA, KR,IRS

We can supply according to your requirement, drawings, class certificate needs, and delivery schedule.

Technical Specifications

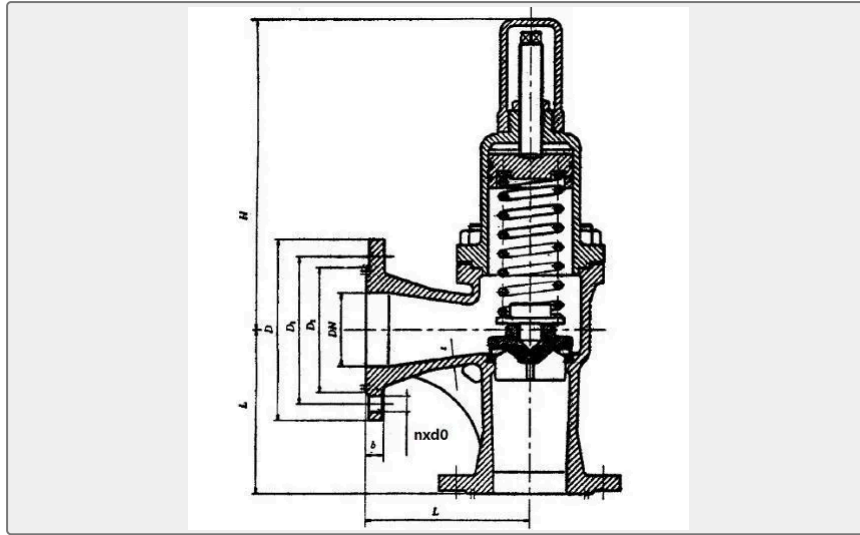
Category	CB Marine Pressure Reducing Valve	Model / SKU	Pressure-Relief-Valve-CB-T3843-2000
Standard	GB	Material	Cast Iron
Weight / Size	CB/T3843-2000 Flange Connection Size as per GB/T2501 Working Pressure:	Certificate	CCS, BV, ABS, GL, LR, DNV, NK,RINA, KR,IRS
Warranty	12 Months unless specified otherwise	Origin	China

CONTENTS

- China Pressure Relief Valve CB/T3843-2000:
- Main Parts & Material:
- Main Size List(mm):


 0.049209s

China Pressure Relief Valve CB/T3843-2000:



Pressure Relief Valve is used as the pressure overload protection in the marine fuel oil system and marine water system.

Design Standard: CB/T3843-2000

Flange Connection Size as per GB/T2501

Working Pressure: 0.3~0.5Mpa

Nominal Size: DN40~DN100

Test Standard: GB/T600, CB3021

Main Parts & Material:

Body-Cast Iron (HT200)

Bonnet-Cast Iron (HT200)

Disc-Bronze (ZQSn10-2)

Spring-Alloy Spring Steel Wire

Main Size List(mm):

nominal diameter	Structure Dimension		Flange					Bolt		Thickness δ	Weight (kg)
	L	H	D1	D2	D3	b	d0	n	Th.		
40	115	210	130	100	80	16	14	4	M12	8	12.3
50	125	230	140	110	90	16	14	4	M12	8	16.4
65	145	230	160	130	110	16	14	4	M12	9	26.9
80	155	295	190	150	128	18	18	4	M16	9	36
100	175	295	210	170	148	18	18	4	M16	10	39.7