

# Jinbo Marine

Marine &amp; Offshore Equipment Datasheet

PRODUCT DATASHEET

## RECIPROCATING PUMP

# QG32 Axial Piston Variable Displacement Pump

ISO9001 Supplier

Class Certificate

Export Supply

Feature: 1、 This product is an axial piston pump in swash plate design for hydrostatic drives in open circuit operation: 2、 Its rated operating pressure is up to 31.5MPa, and the instantaneous high pressure c...



### Key Highlights

Category	Reciprocating Pump
Standard	EN
Weight / Size	5、 New appearance .Excellent power/Weight ratio;
Certificate	ABS, LR, BV, DNVGL, NK, KR, IRS, RMRS, CCS

We can supply according to your requirement, drawings, class certificate needs, and delivery schedule.

### Technical Specifications

Category	Reciprocating Pump	Model / SKU	QG32-Axial-Piston-Variable-Displacement-Pump
Standard	EN	Weight / Size	5、 New appearance .Excellent power/Weight ratio;
Certificate	ABS, LR, BV, DNVGL, NK, KR, IRS, RMRS, CCS	Warranty	12 Months unless specified otherwise
Origin	China		

#### CONTENTS

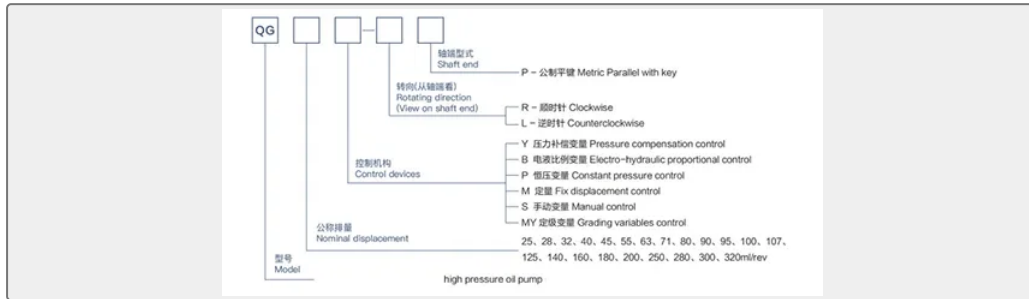
- Feature:
- Data sheet:
- Structure Drawing :

### Feature:

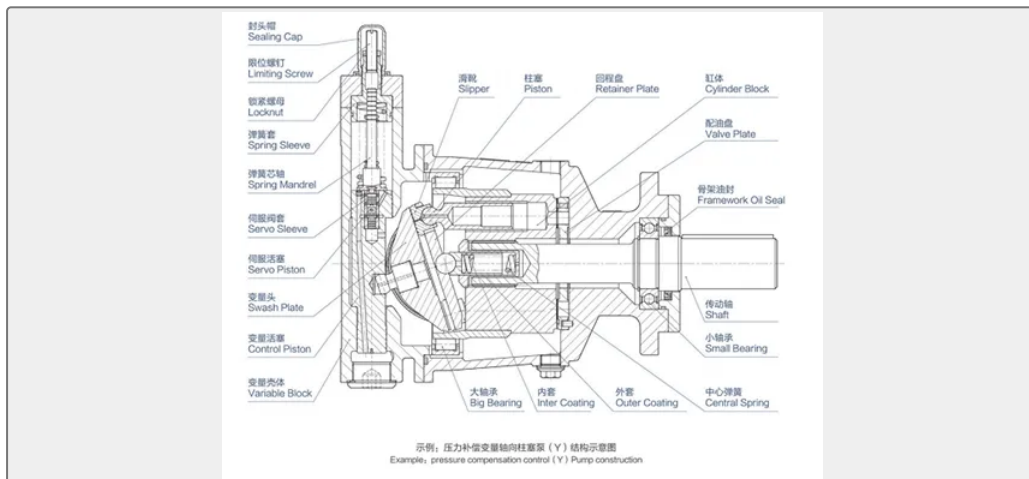
1、 This product is an axial piston pump in swash plate design for hydrostatic drives in open circuit operation:

2、 Its rated operating pressure is up to 31.5MPa, and the instantaneous high pressure can reach 40 MPa, 0.089451s

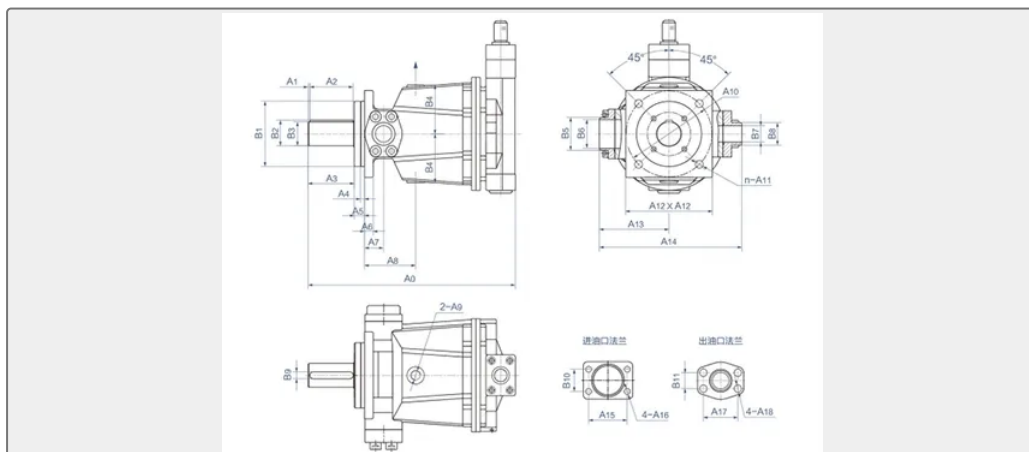
- 3、 Various displacements .high power density;
- 4、 Excellent suction performance;
- 5、 New appearance .Excellent power/Weight ratio;
- 6、 Low noise, Long lifespan;
- 7、 The same mounting flange with CY pump and design for SAE oil flange



### Structure Drawing :



### Data sheet:



Model	(ml/rev) displacement	(MPa) Rated power	(r/min) Rated power	1500rpm (KW) Max.power
QG25	25	31.5	1500	20
QG28	28	31.5	1500	22



QG32	32	31.5	1500	25
QG40	40	31.5	1500	31
QG45	45	31.5	1500	35
QG55	55	31.5	1500	43
QG63	63	31.5	1500	50
QG71	71	31.5	1500	56
QG80	80	31.5	1500	63
QG90	90	31.5	1500	71
QG95	95	31.5	1500	75
QG100	100	31.5	1500	79
QG107	107	31.5	1500	84
QG125	125	31.5	1500	98
QG140	140	31.5	1500	110
QG160	160	31.5	1500	126
QG180	180	31.5	1500	142
QG200	200	31.5	1500	157
QG250	250	31.5	1500	197
QG280	280	31.5	1500	220
QG300	300	31.5	1500	236
QG320	320	31.5	1500	252