

LIFEBOAT AND RESCUE BOAT ACCESSORIES

QJ850A Marine DC regulated power supply

- ISO9001 Supplier
- Class Certificate
- Export Supply

1. Scope and characteristics of use QJ850A power supply is designed to provide DC power supply supporting products for large ship combination stations. The main feature of this product is that it has made a large c...



Key Highlights

Category	Lifeboat And Rescue Boat Accessories
Standard	EN
Weight / Size	1500V 5MΩ(no breakdown within 1 minute) Output terminal and chassis (sh...
Certificate	ABS, LR, BV, DNVGL, NK, KR, IRS, RMRS, CCS

We can supply according to your requirement, drawings, class certificate needs, and delivery schedule.

Technical Specifications

Category	Lifeboat And Rescue Boat Accessories	Model / SKU	QJ850A-Marine-DC-regulated-power-supply
Standard	EN	Weight / Size	1500V 5MΩ(no breakdown within 1 minute) Output terminal and chassis (shell) insulation resistance≥20MΩ Dimensions:
Certificate	ABS, LR, BV, DNVGL, NK, KR, IRS, RMRS, CCS	Warranty	12 Months unless specified otherwise
Origin	China		

CONTENTS	■ 1. Scope and characteristics of use	■ 2. Technical parameters
	■ Panel function diagram	■ Installation size:



1. Scope and characteristics of use

QJ850A power supply is designed to provide DC power supply supporting products for large ship combination stations. The main feature of this product is that it has made a large correction on the basis of the original power supply product, which has greatly improved the internal process and reliability of this product. It can be combined with the company's product QJ6158 charger to become a complete set of combined radio DC power supply system.

2. Technical parameters

Working environment temperature: -10-40C°

Relative humidity: 40C°(20-90)%RH

Atmospheric pressure: 86-106KPA

Input voltage: AC220V/110V10% DC 24V-28.5V

Output voltage: DC 24V±0.5(AC220V input)

Output current: 60A Ripple and noise:≤20mv

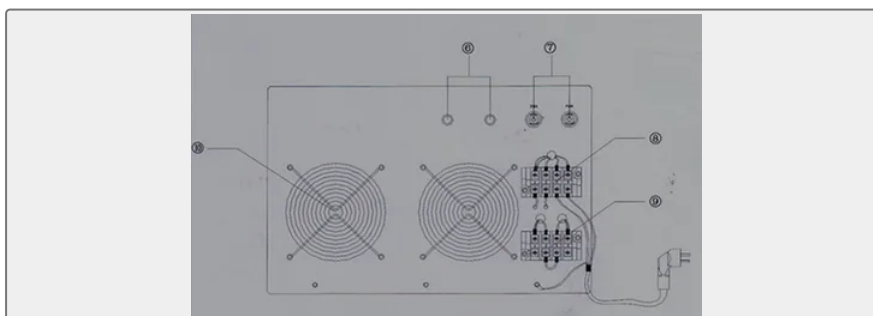
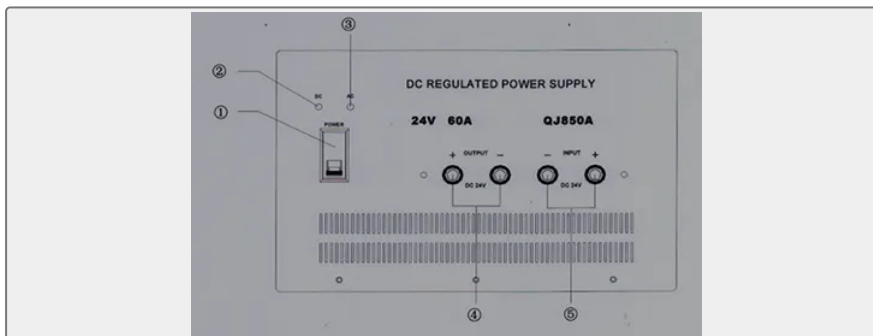
Electrical strength: 1500V 5MΩ(no breakdown within 1 minute)

Output terminal and chassis (shell) insulation resistance≥20MΩ

Dimensions: 380×248×360mm

Weight: 35Kg

Panel function diagram



① POWER switch (POWER): When the power switch is set to the ON state, the power is switched on.

②DC power indicator: Indicates the working status of the input DC power supply

③AC FALD: Indicates the operating status of the AC input power supply

④DC output positive and negative terminals: Connect to the DC power cable of the combined radio station

- ⑤ DC input positive and negative terminals: Connect to the charger standby DC power supply
- ⑥ External alarm interface: When the AC voltage is lost, the relay in the machine is closed, and the external alarm will work.
- ⑦ Fuse :10A
- ⑧ AC AC input terminal
- ⑨ 110V/220V conversion terminal
- ⑩ Fan

Installation size:

