

Jinbo Marine

Marine & Offshore Equipment Datasheet

PRODUCT DATASHEET

MARINE KITCHEN GALLEY

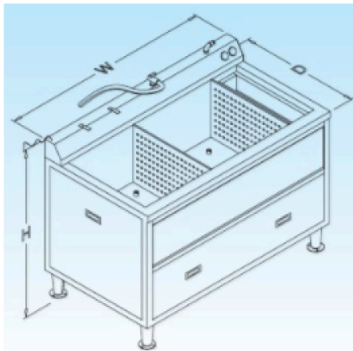
QZ300 Marine Vegetable Washing Machine

ISO9001 Supplier

Class Certificate

Export Supply

QZ300 Marine Vegetable Washing Machine 1. All stainless steel structure 2. Water saving, labor saving, time saving, clean and sanitary 3. No damage to vegetables 4. High efficiency, small footprint, safe and rel...



Key Highlights

Category	Marine Kitchen Galley
Standard	EN
Material	SS
Weight / Size	Equipped with ozone disinfection and sterilization device 10 Equipped wi...
Certificate	ABS, LR, BV, DNVGL, NK, KR, IRS, RMRS, CCS

We can supply according to your requirement, drawings, class certificate needs, and delivery schedule.



Technical Specifications			
Category	Marine Kitchen Galley	Model / SKU	QZ300-Marine-Vegetable-Washing-Machine
Standard	EN	Material	SS
Weight / Size	Equipped with ozone disinfection and sterilization device 10 Equipped with stainless steel adjustable feet for easy installation on board QZ300 Marine Vegetable Washing Machine Drawing QZ300 Marine Vegetable Washing Machine Parameters Model QZ180 QZ300 Volume(L) 180L 300L Power(kw) 220v-1PH-50Hz/60Hz Voltage 2 2.45 Size(mm) 1350X760X720 1800X860X960 Weight(kg) 120 180	Certificate	ABS, LR, BV, DNVGL, NK, KR, IRS, RMRS, CCS
Warranty	12 Months unless specified otherwise	Origin	China

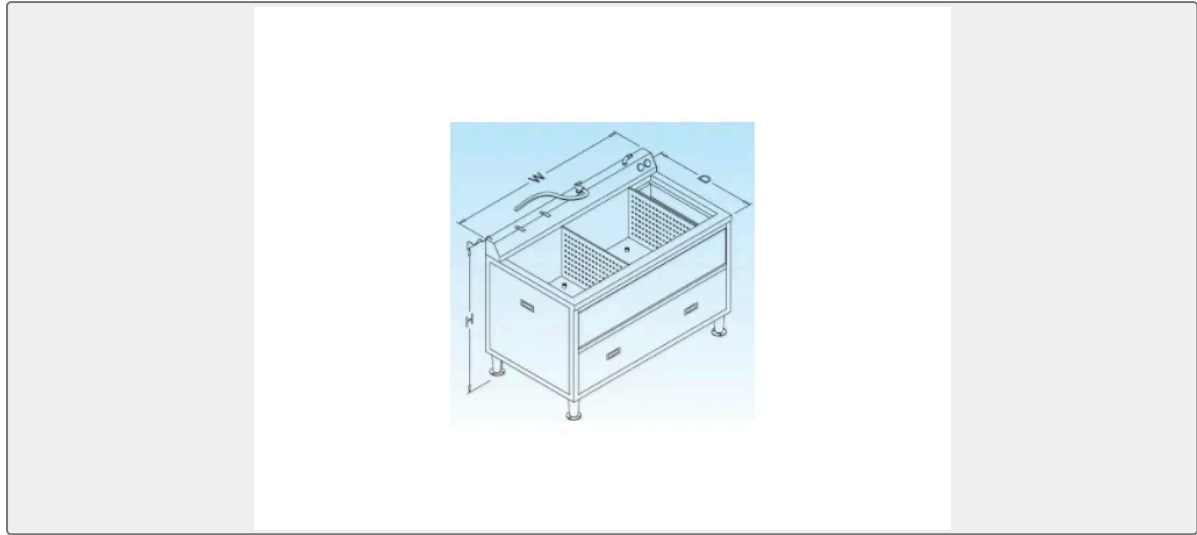
CONTENTS

- QZ300 Marine Vegetable Washing Machine
- QZ300 Marine Vegetable Washing Machine Drawing
- QZ300 Marine Vegetable Washing Machine Parameters

QZ300 Marine Vegetable Washing Machine

1. All stainless steel structure
2. Water saving, labor saving, time saving, clean and sanitary
3. No damage to vegetables
4. High efficiency, small footprint, safe and reliable, high degree of automation, water level sensing, automatic water replenishment
5. Low energy consumption, effectively reducing operating costs
6. Convenient maintenance and simple operation
7. Equipped with activated carbon sterilization device
8. Equipped with ultraviolet disinfection device
9. Equipped with ozone disinfection and sterilization device
10. Equipped with stainless steel adjustable feet for easy installation on board

QZ300 Marine Vegetable Washing Machine Drawing



QZ300 Marine Vegetable Washing Machine Parameters

Model	QZ180	QZ300
Volume(L)	180L	300L
Power(kw)	220v-1PH-50Hz/60Hz	
Voltage	2	2.45
Size(mm)	1350X760X720	1800X860X960
Weight(kg)	120	180