

# Jinbo Marine

Marine &amp; Offshore Equipment Datasheet

PRODUCT DATASHEET

## STUD LINK MOORING CHAIN

## R3 Offshore Stud Link Mooring Chain

R3 Offshore Stud Link Mooring Chain is available in all sizes from 76mm to 185mm, our mooring chain approved by LR, ABS, DNV, GL, BV, RINA, NK, KR and API. All chains have a wormanlike finish consiste

ISO9001 Supplier

Class Certificate

Export Supply



*jinbomarine.co*

### Key Highlights

Category	Stud Link Mooring Chain
Standard	DIN
Material	Rolled Steel Bars
Weight / Size	R3 Offshore Stud Link Mooring Chain is available in all sizes from 76m...
Certificate	ABS, LR, BV, GL, RINA, DNV, NK, KR, CCS

We can supply according to your requirement, drawings, class certificate needs, and delivery schedule.

### Technical Specifications

Category	Stud Link Mooring Chain	Model / SKU	R3-Offshore-Stud-Link-Mooring-Chain
Standard	DIN	Material	Rolled Steel Bars
Weight / Size	R3 Offshore Stud Link Mooring Chain is available in all sizes from 76mm to 185mm, our mooring chain approved by LR, ABS, DNV, GL, BV, RINA, NK, KR and API.	Surface	All chains have a wormanlike finish consistent of methods of manufacture and be free from defects.
Certificate	ABS, LR, BV, GL, RINA, DNV, NK, KR, CCS	Warranty	12 Months unless specified otherwise
Origin	China		

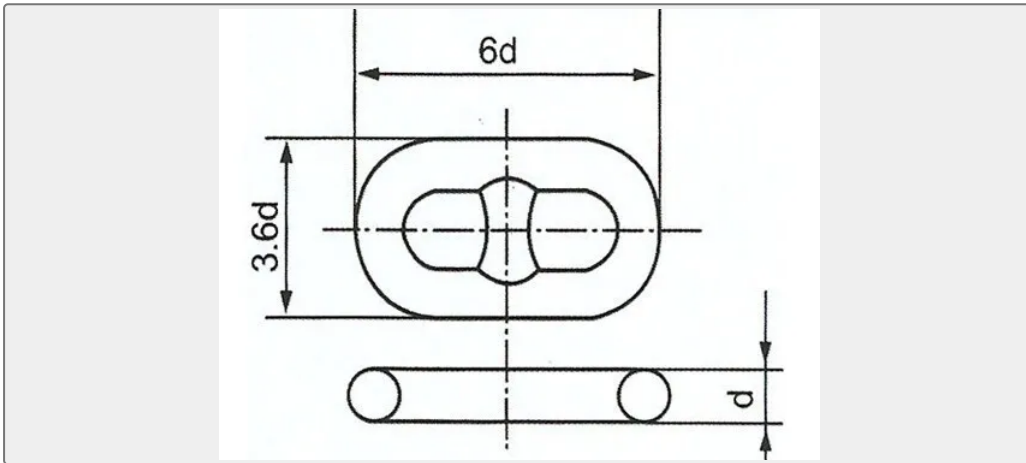
#### CONTENTS

- China R3 Offshore Stud Link Mooring Chain:
- Main specification:
- Welding of Studs
- Proof Load and Breaking Load(KN)



0.039958s

## China R3 Offshore Stud Link Mooring Chain:



R3 Offshore Stud Link Mooring Chain is available in all sizes from 76mm to 185mm, our mooring chain approved by LR, ABS, DNV, GL, BV, RINA, NK, KR and API. All chains have a wormanlike finish consistent of methods of manufacture and be free from defects.

### Welding of Studs

A welded stud is for grade R3 and R3S chains, and welding procedure is made by qualified welders, the welds is good quality and free from defects such as cracks, lack of fusion, gross porosity and undercuts exceeding 1mm(1/21in).

### Main specification:

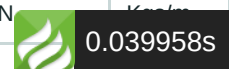
Size: 76mm to 185mm

Grade: R3

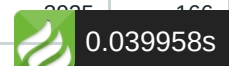
Certificate: LR, ABS, DNV, GL, BV, RINA, NK, KR,API.

### Proof Load and Breaking Load(KN)

Dia.	Break Load (KN)		Proof Load(KN)				Weight	
	R3S	R3	API	R3S	R3 DNV	R3	API	
				Stud	Stud	Stud		Stud
mm	KN	KN	KN	KN	KN	KN	KN	



19	382	342	324	276	239	227	285	8
20.5	443	397	376	320	278	263	249	9
22	509	456	431	368	319	303	286	11
24	604	541	511	436	378	359	339	13
26	706	632	598	510	442	419	397	15
28	815	730	691	589	511	485	458	17
30	932	835	790	674	584	554	524	20
32	1057	946	895	764	662	628	594	22
34	1188	1064	1007	859	744	706	668	25
36	1327	1188	1124	959	831	789	746	28
38	1473	1319	1248	1065	923	875	828	32
40	1625	1456	1377	1175	1018	966	914	35
42	1785	1599	1513	1290	1118	1061	1004	39
44	1951	1748	1654	1411	1223	1160	1097	42
46	2124	1903	1800	1536	1331	1263	1194	46
48	2304	2063	1952	1666	1443	1369	1295	50
50	2490	2230	2110	1800	1560	1480	1400	55
52	2682	2402	2273	1939	1681	1594	1508	59
54	2881	2580	2441	2083	1805	1712	1620	64
56	3086	2764	2615	2231	1933	1834	1735	69
58	3297	2953	2794	2383	2066	1960	1854	74
60	3514	3147	2978	2540	2201	2089	1976	79
62	3737	3347	3166	2701	2341	2221	2101	84
64	3965	3551	3360	2867	2484	2357	2230	90
66	4200	3761	3559	3036	2631	2496	2361	95
68	4440	3976	3762	3209	2782	2639	2496	101
70	4685	4196	3970	3387	2935	2785	2634	107
73	5064	4535	4291	3660	3172	3010	2847	117
76	5454	4884	4621	3942	3417	3242	3066	126
78	5720	5123	4847	4135	3584	3400	3216	133
81	6130	5490	5194	4431	3840	3643	3446	144
84	6550	5866	5550	4735	4104	3893	3683	155
87	6981	6252	5916	5046	4374	4149	3925	166



90	7422	6647	6289	5365	4650	4412	4173	177
92	7722	6916	6544	5582	4838	4590	4342	185
95	8180	7326	6932	5913	5125	4862	4599	198
97	8490	7604	7195	6138	5319	5047	4774	206
100	8964	8028	7596	6480	5616	5328	5040	219
102	9285	8315	7868	6712	5817	5519	5220	228
105	9773	8753	8282	7065	6123	5809	5495	241
107	10103	9048	8561	7304	6330	6005	5681	251
111	10775	9650	9130	7789	6750	6404	6058	270
114	11287	10109	9565	8159	7071	6709	6346	285
117	11807	10574	10005	8535	7397	7018	6639	300
120	12334	11047	10452	8916	7728	7331	6935	315
122	12690	11365	10753	9173	7950	7542	7135	326
124	13048	11686	11057	9432	8175	7755	7336	337
127	13591	12171	11516	9824	8515	8078	7641	353
130	14139	12663	11981	10221	8858	8404	7950	370
132	14508	12993	12294	10488	9089	8623	8157	382
137	15441	13829	13085	11162	9674	9178	8682	411
142	16388	14677	13887	11847	10267	9741	9214	442
147	17347	15536	14700	12540	10868	10311	9753	473
152	18317	16405	15522	13241	11476	10887	10299	506
157	19297	17282	16352	13949	12089	11469	10850	540
162	20284	18166	17188	14663	12708	12056	11405	575
165	20879	18699	17693	15094	13081	12410	11739	596
168	21477	19234	18199	15523	13455	12765	12075	618
171	22076	19771	18707	15959	13831	13121	12412	640
175	22877	20488	19368	16538	14333	13598	12863	671
178	23479	21027	19896	16972	14709	13955	13201	694
180	23880	21387	20236	17263	14961	14194	13427	710
185	24884	22286	21087	17989	15590	14791	13991	750