

Jinbo Marine

Marine & Offshore Equipment Datasheet

PRODUCT DATASHEET

STUDLESS LINK MOORING CHAIN

R3 Offshore Studless Link Mooring Chain

ISO9001 Supplier

Class Certificate

Export Supply

R3 Studless Link Mooring Chain is available in different size from 36mm to 162mm, this chains is commonly used for mooring system permanently. Main Specification: Size: 36mm-162mm Grade: R3...



Key Highlights

| | |
|---------------|---|
| Category | Studless Link Mooring Chain |
| Standard | EN |
| Material | Rolled Steel Bars |
| Weight / Size | R3 Studless Link Mooring Chain is available in different size from 36mm ... |
| Certificate | LR, ABS,BV, GL, RINA, DNV, NK, KR, CCS |

We can supply according to your requirement, drawings, class certificate needs, and delivery schedule.

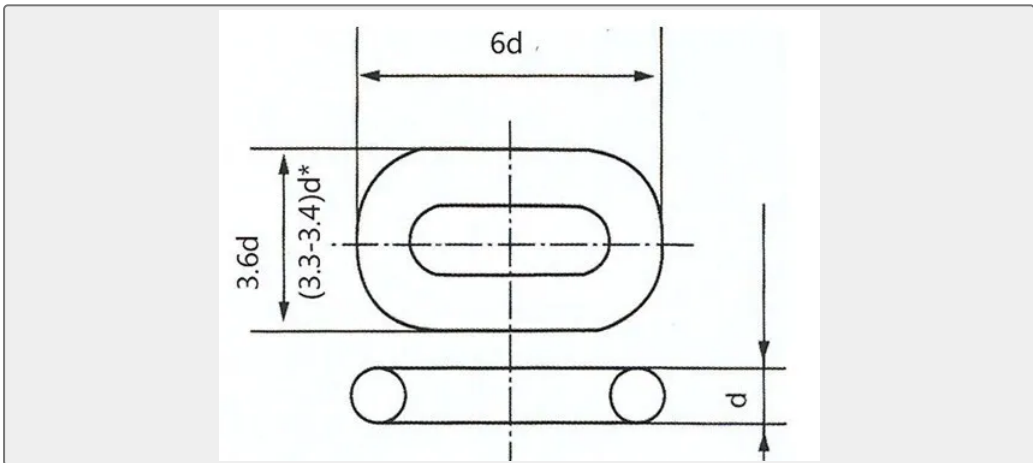
Technical Specifications

| | | | |
|---------------|--|-------------|---|
| Category | Studless Link Mooring Chain | Model / SKU | R3-Offshore-Studless-Link-Mooring-Chain |
| Standard | EN | Material | Rolled Steel Bars |
| Weight / Size | R3 Studless Link Mooring Chain is available in different size from 36mm to 162mm, this chains is commonly used for mooring system permanently. Main Specification: | Surface | Painted |
| Certificate | LR, ABS,BV, GL, RINA, DNV, NK, KR, CCS | Warranty | 12 Months unless specified otherwise |
| Origin | China | | |

 0.041693s

| | | |
|-----------------|--|-----------------------|
| CONTENTS | ■ China R3 Offshore Studless Link Mooring Chain: | ■ Main Specification: |
| | ■ Poof Load for R3 Studless Link Mooring Chain | |

China R3 Offshore Studless Link Mooring Chain:



R3 Studless Link Mooring Chain is available in different size from 36mm to 162mm, this chains is commonly used for mooring system permanently.

Main Specification:

Size: 36mm-162mm

Grade: R3

Finish: Black Painted.

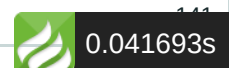
Certificate: LR, ABS,BV, GL, RINA, DNV, NK, KR, CCS

Poof Load for R3 Studless Link Mooring Chain

| Dia. | Breaking Load | | Proof Load | | | Studless |
|------|---------------|-----|---------------|---------------|---------------|----------|
| | R3 | API | R3 DNV | R3 | API | |
| | | | Stud/Studless | Stud/Studless | Stud/Studless | |
| | | | | | | |



| Mm. | kN | kN | kN | kN | kN | Kgs/m |
|------|------|------|------|------|------|-------|
| 19 | 342 | 324 | 239 | 227 | 285 | 7 |
| 20.5 | 397 | 376 | 278 | 263 | 249 | 8 |
| 22 | 456 | 431 | 319 | 303 | 286 | 10 |
| 24 | 541 | 511 | 378 | 359 | 339 | 12 |
| 26 | 632 | 598 | 442 | 419 | 397 | 14 |
| 28 | 730 | 691 | 511 | 485 | 458 | 16 |
| 30 | 835 | 790 | 584 | 554 | 524 | 18 |
| 32 | 946 | 895 | 662 | 628 | 594 | 20 |
| 34 | 1064 | 1007 | 744 | 706 | 668 | 23 |
| 36 | 1188 | 1124 | 831 | 789 | 746 | 26 |
| 38 | 1319 | 1248 | 923 | 875 | 828 | 29 |
| 40 | 1456 | 1377 | 1018 | 966 | 914 | 32 |
| 42 | 1599 | 1513 | 1118 | 1061 | 1004 | 35 |
| 44 | 1748 | 1654 | 1223 | 1160 | 1097 | 39 |
| 46 | 1903 | 1800 | 1331 | 1263 | 1194 | 42 |
| 48 | 2063 | 1952 | 1443 | 1369 | 1295 | 46 |
| 50 | 2230 | 2110 | 1560 | 1480 | 1400 | 50 |
| 52 | 2402 | 2273 | 1681 | 1594 | 1508 | 54 |
| 54 | 2580 | 2441 | 1805 | 1712 | 1620 | 58 |
| 56 | 2764 | 2615 | 1933 | 1834 | 1735 | 63 |
| 58 | 2953 | 2794 | 2066 | 1960 | 1854 | 67 |
| 60 | 3147 | 2978 | 2201 | 2089 | 1976 | 72 |
| 62 | 3347 | 3166 | 2341 | 2221 | 2101 | 77 |
| 64 | 3551 | 3360 | 2484 | 2357 | 2230 | 82 |
| 66 | 3761 | 3559 | 2631 | 2496 | 2361 | 87 |
| 68 | 3976 | 3762 | 2782 | 2639 | 2496 | 92 |
| 70 | 4196 | 3970 | 2935 | 2785 | 2634 | 98 |
| 73 | 4535 | 4291 | 3172 | 3010 | 2847 | 107 |
| 76 | 4884 | 4621 | 3417 | 3242 | 3066 | 116 |
| 78 | 5123 | 4847 | 3584 | 3400 | 3216 | 122 |
| 81 | 5490 | 5194 | 3840 | 3643 | 3446 | 131 |
| 84 | 5866 | 5550 | 4104 | 3893 | 3683 | 141 |



| | | | | | | |
|-----|-------|-------|-------|-------|-------|-----|
| 87 | 6252 | 5916 | 4374 | 4149 | 3925 | 151 |
| 90 | 6647 | 6289 | 4650 | 4412 | 4173 | 162 |
| 92 | 6916 | 6544 | 4838 | 4590 | 4342 | 169 |
| 95 | 7326 | 6932 | 5125 | 4862 | 4599 | 181 |
| 97 | 7604 | 7195 | 5319 | 5047 | 4774 | 188 |
| 100 | 8028 | 7596 | 5616 | 5328 | 5040 | 200 |
| 102 | 8315 | 7868 | 5817 | 5519 | 5220 | 208 |
| 105 | 8753 | 8282 | 6123 | 5809 | 5495 | 221 |
| 107 | 9048 | 8561 | 6330 | 6005 | 5681 | 229 |
| 111 | 9650 | 9130 | 6750 | 6404 | 6058 | 246 |
| 114 | 10109 | 9565 | 7071 | 6709 | 6346 | 260 |
| 117 | 10574 | 10005 | 7397 | 7018 | 6639 | 274 |
| 120 | 11047 | 10452 | 7728 | 7331 | 6935 | 288 |
| 122 | 11365 | 10753 | 7950 | 7542 | 7135 | 298 |
| 124 | 11686 | 11057 | 8175 | 7755 | 7336 | 308 |
| 127 | 12171 | 11516 | 8515 | 8078 | 7641 | 323 |
| 130 | 12663 | 11981 | 8858 | 8404 | 7950 | 338 |
| 132 | 12993 | 12294 | 9089 | 8623 | 8157 | 348 |
| 137 | 13829 | 13085 | 9674 | 9178 | 8682 | 375 |
| 142 | 14677 | 13887 | 10267 | 9741 | 9214 | 403 |
| 147 | 15536 | 14700 | 10868 | 10311 | 9753 | 432 |
| 152 | 16405 | 15522 | 11476 | 10887 | 10299 | 462 |
| 157 | 17282 | 16352 | 12089 | 11469 | 10850 | 493 |
| 162 | 18166 | 17188 | 12708 | 12056 | 11405 | 525 |
| 165 | 18699 | 17693 | 13081 | 12410 | 11739 | 545 |
| 168 | 19234 | 18199 | 13455 | 12765 | 12075 | 564 |
| 171 | 19771 | 18707 | 13831 | 13121 | 12412 | 585 |
| 175 | 20488 | 19368 | 14333 | 13598 | 12863 | 613 |
| 178 | 21027 | 19896 | 14709 | 13955 | 13201 | 634 |
| 180 | 21387 | 20236 | 14961 | 14194 | 13427 | 648 |
| 185 | 22286 | 21087 | 15590 | 14791 | 13991 | 685 |