


STUD LINK MOORING CHAIN

R3S Offshore Stud Link Mooring Chain

R3S Offshore Stud Link Mooring Chain is better than R3 Grade mooring chain, the material grade is higher, this mooring chains can be used for mooring system permanently in the environment in the seawater. Ea...

- ISO9001 Supplier
- Class Certificate
- Export Supply

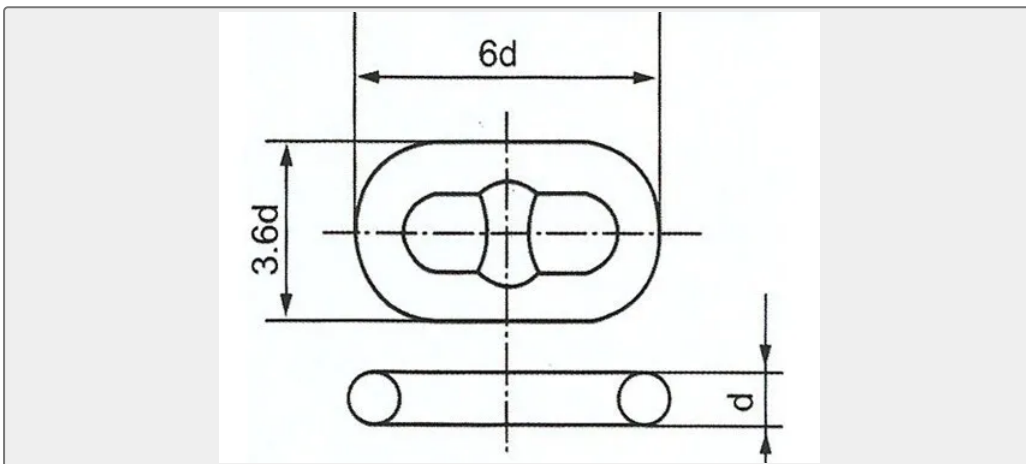
	<h3 style="margin: 0;">Key Highlights</h3> <table border="1" style="width: 100%; border-collapse: collapse;"> <tr> <td style="background-color: #1a3d4d; color: white; padding: 5px;">Category</td> <td style="padding: 5px;">Stud Link Mooring Chain</td> </tr> <tr> <td style="background-color: #1a3d4d; color: white; padding: 5px;">Standard</td> <td style="padding: 5px;">EN</td> </tr> <tr> <td style="background-color: #1a3d4d; color: white; padding: 5px;">Material</td> <td style="padding: 5px;">Rolled Steel Bars</td> </tr> <tr> <td style="background-color: #1a3d4d; color: white; padding: 5px;">Weight / Size</td> <td style="padding: 5px;">Testing and inspection for the finished mooring chains Proof Load Test D...</td> </tr> <tr> <td style="background-color: #1a3d4d; color: white; padding: 5px;">Certificate</td> <td style="padding: 5px;">ABS, LR, BV, GL, RINA, DNV, NK, KR, CCS</td> </tr> </table> <p style="font-size: small; margin-top: 10px;">We can supply according to your requirement, drawings, class certificate needs, and delivery schedule.</p>	Category	Stud Link Mooring Chain	Standard	EN	Material	Rolled Steel Bars	Weight / Size	Testing and inspection for the finished mooring chains Proof Load Test D...	Certificate	ABS, LR, BV, GL, RINA, DNV, NK, KR, CCS
Category	Stud Link Mooring Chain										
Standard	EN										
Material	Rolled Steel Bars										
Weight / Size	Testing and inspection for the finished mooring chains Proof Load Test D...										
Certificate	ABS, LR, BV, GL, RINA, DNV, NK, KR, CCS										

Technical Specifications			
Category	Stud Link Mooring Chain	Model / SKU	R3S-Offshore-Stud-Link-Mooring-Chain
Standard	EN	Material	Rolled Steel Bars
Weight / Size	Testing and inspection for the finished mooring chains Proof Load Test Dimensions Measurement Mechanical Tests Nondestructive Examination Main Specification:	Surface	Painted
Certificate	ABS, LR, BV, GL, RINA, DNV, NK, KR, CCS	Warranty	12 Months unless specified otherwise
Origin	China		

CONTENTS	<ul style="list-style-type: none"> ■ China R3S Offshore Stud Link Mooring Chain: ■ Proof Load Table for R3S Offshore Stud Link Mooring Chain 	<ul style="list-style-type: none"> ■ Main Specification:
-----------------	--	---

0.039396s

China R3S Offshore Stud Link Mooring Chain:



R3S Offshore Stud Link Mooring Chain is better than R3 Grade mooring chain, the material grade is higher, this mooring chains can be used for mooring system permanently in the environment in the seawater.

Each length of mooring chain is to be inspected carefully before delivery to our client.

Testing and inspection for the finished mooring chains

Proof Load Test

Dimensions Measurement

Mechanical Tests

Nondestructive Examination

Main Specification:

Size: 76mm to 185mm

Grade: R3S

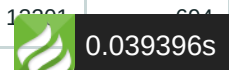
Finish: Black Painted.

Certificate: ABS, LR, BV, GL, RINA, DNV, NK, KR, CCS

Proof Load Table for R3S Offshore Stud Link Mooring Chain

Diameter	Break Load (KN)		Proof Load(KN)			Weight
	R3S	API	R3S		API	
			Stud	Stud	Stud	
Mm.	kN	kN	kN	kN	kN	Kgs/m
19	382	324	276	267	285	8
20.5	443	376	320	310	249	9
22	509	431	368	356	286	11
24	604	511	436	422	339	13
26	706	598	510	493	397	15
28	815	691	589	570	458	17
30	932	790	674	651	524	20
32	1057	895	764	738	594	22
34	1188	1007	859	830	668	25
36	1327	1124	959	927	746	28
38	1473	1248	1065	1029	828	32
40	1625	1377	1175	1136	914	35
42	1785	1513	1290	1247	1004	39
44	1951	1654	1411	1364	1097	42
46	2124	1800	1536	1485	1194	46
48	2304	1952	1666	1610	1295	50
50	2490	2110	1800	1740	1400	55
52	2682	2273	1939	1874	1508	59
54	2881	2441	2083	2013	1620	64
56	3086	2615	2231	2156	1735	69
58	3297	2794	2383	2304	1854	74
60	3514	2978	2540	2455	1976	79
62	3737	3166	2701	2611	2101	84
64	3965	3360	2867	2771	2230	90
66	4200	3559	3036	2935	2361	95
68	4440	3762	3209	3102	2496	101
70	4685	3970	3387	3274	2634	107
73	5064	4291	3660	3538		

76	5454	4621	3942	3811	3066	126
78	5720	4847	4135	3997	3216	133
81	6130	5194	4431	4283	3446	144
84	6550	5550	4735	4577	3683	155
87	6981	5916	5046	4878	3925	166
90	7422	6289	5365	5187	4173	177
92	7722	6544	5582	5396	4342	185
95	8180	6932	5913	5716	4599	198
97	8490	7195	6138	5933	4774	206
100	8964	7596	6480	6264	5040	219
102	9285	7868	6712	6488	5220	228
105	9773	8282	7065	6829	5495	241
107	10103	8561	7304	7060	5681	251
111	10775	9130	7789	7529	6058	270
114	11287	9565	8159	7887	6346	285
117	11807	10005	8535	8251	6639	300
120	12334	10452	8916	8619	6935	315
122	12690	10753	9173	8868	7135	326
124	13048	11057	9432	9118	7336	337
127	13591	11516	9824	9497	7641	353
130	14139	11981	10221	9880	7950	370
132	14508	12294	10488	10138	8157	382
137	15441	13085	11162	10790	8682	411
142	16388	13887	11847	11454	9214	442
147	17347	14700	12540	12122	9753	473
152	18317	15522	13241	12800	10299	506
157	19297	16352	13949	13484	10850	540
162	20284	17188	14663	14174	11405	575
165	20879	17693	15094	14590	11739	596
168	21477	18199	15523	15008	12075	618
171	22076	18707	15959	15427	12412	640
175	22877	19368	16538	15986	12863	671
178	23479	19896	16972	16407	13391	704



180	23880	20236	17263	16688	13427	710
185	24884	21087	17989	17389	13991	750