

STUDLESS LINK MOORING CHAIN

R3S Offshore Studless Link Mooring Chain

ISO9001 Supplier

Class Certificate

Export Supply

R3S Studless Link Mooring Chain is higher grade than R3 Studless link mooring chain, the chains approved by International Class Society. Main Specification Size: 32mm- 162mm Grade: R3S Fini...



Key Highlights

Category	Studless Link Mooring Chain
Material	Rolled Steel Bars
Weight / Size	Main Specification Size:
Certificate	ABS, LR, BV, GL, RINA, DNV, NK, KR, CCS

We can supply according to your requirement, drawings, class certificate needs, and delivery schedule.

Technical Specifications

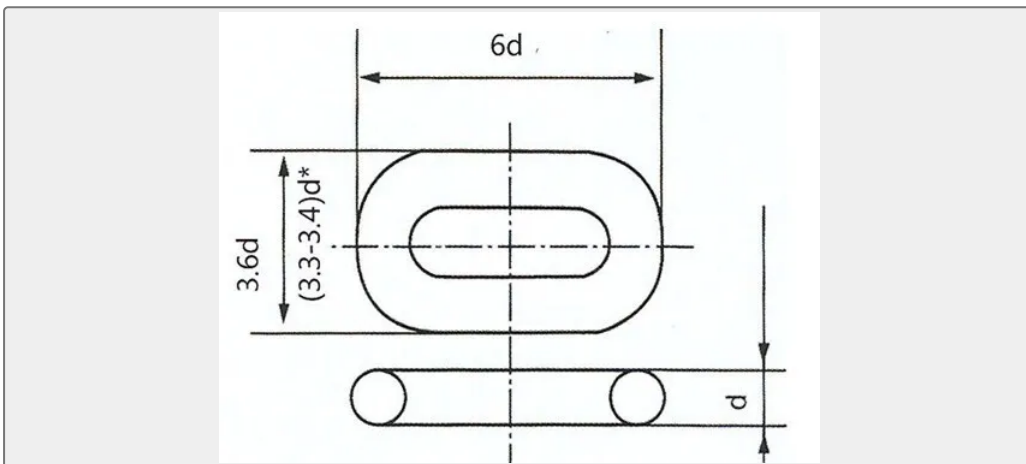
Category	Studless Link Mooring Chain	Model / SKU	R3S-Offshore-Studless-Link-Mooring-Chain
Material	Rolled Steel Bars	Weight / Size	Main Specification Size:
Surface	Painted	Certificate	ABS, LR, BV, GL, RINA, DNV, NK, KR, CCS
Warranty	12 Months unless specified otherwise	Origin	China

CONTENTS

- China R3S Offshore Studless Link Mooring Chain:
 - Main Specification
- Proof Load for R3S Studless Link Mooring Chain



China R3S Offshore Studless Link Mooring Chain:



R3S Studless Link Mooring Chain is higher grade than R3 Studless link mooring chain, the chains approved by International Class Society.

Main Specification

Size: 32mm- 162mm

Grade: R3S

Finish: Black Painted.

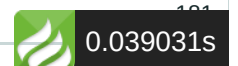
Testing Report: ABS, LR, BV, GL, RINA, DNV, NK, KR, CCS

Proof Load for R3S Studless Link Mooring Chain

Dia.	Break Load (KN)		Proof Load(KN)		Wight
	R3S	API	R3s Studless	API Studless	
Mm.	kN	kN	kN	kN	Kgs/m
19	382	324	267	285	7
20.5	443	376	310	249	8
22	509	431	356	286	



24	604	511	422	339	12
26	706	598	493	397	14
28	815	691	570	458	16
30	932	790	651	524	18
32	1057	895	738	594	20
34	1188	1007	830	668	23
36	1327	1124	927	746	26
38	1473	1248	1029	828	29
40	1625	1377	1136	914	32
42	1785	1513	1247	1004	35
44	1951	1654	1364	1097	39
46	2124	1800	1485	1194	42
48	2304	1952	1610	1295	46
50	2490	2110	1740	1400	50
52	2682	2273	1874	1508	54
54	2881	2441	2013	1620	58
56	3086	2615	2156	1735	63
58	3297	2794	2304	1854	67
60	3514	2978	2455	1976	72
62	3737	3166	2611	2101	77
64	3965	3360	2771	2230	82
66	4200	3559	2935	2361	87
68	4440	3762	3102	2496	92
70	4685	3970	3274	2634	98
73	5064	4291	3538	2847	107
76	5454	4621	3811	3066	116
78	5720	4847	3997	3216	122
81	6130	5194	4283	3446	131
84	6550	5550	4577	3683	141
87	6981	5916	4878	3925	151
90	7422	6289	5187	4173	162
92	7722	6544	5396	4342	169
95	8180	6932	5716	4599	177



97	8490	7195	5933	4774	188
100	8964	7596	6264	5040	200
102	9285	7868	6488	5220	208
105	9773	8282	6829	5495	221
107	10103	8561	7060	5681	229
111	10775	9130	7529	6058	246
114	11287	9565	7887	6346	260
117	11807	10005	8251	6639	274
120	12334	10452	8619	6935	288
122	12690	10753	8868	7135	298
124	13048	11057	9118	7336	308
127	13591	11516	9497	7641	323
130	14139	11981	9880	7950	338
132	14508	12294	10138	8157	348
137	15441	13085	10790	8682	375
142	16388	13887	11454	9214	403
147	17347	14700	12122	9753	432
152	18317	15522	12800	10299	462
157	19297	16352	13484	10850	493
162	20284	17188	14174	11405	525
165	20879	17693	14590	11739	545
168	21477	18199	15008	12075	564
171	22076	18707	15427	12412	585
175	22877	19368	15986	12863	613
178	23479	19896	16407	13201	634
180	23880	20236	16688	13427	648
185	24884	21087	17389	13991	685