

Jinbo Marine

Marine & Offshore Equipment Datasheet

PRODUCT DATASHEET

STUDLESS LINK MOORING CHAIN

R4 Offshore Studless Link Mooring Chain

ISO9001 Supplier

Class Certificate

Export Supply

R4 Studless Link Mooring Chain has good performance for mooring system in the extreme seawater, the chains has been approved by Class Society.



Key Highlights

Category	Studless Link Mooring Chain
Standard	EN
Material	Rolled Steel Bars
Weight / Size	Main Specification Size:
Certificate	LR, ABS,BV, GL, RINA, DNV, NK, KR, CCS

We can supply according to your requirement, drawings, class certificate needs, and delivery schedule.

Technical Specifications

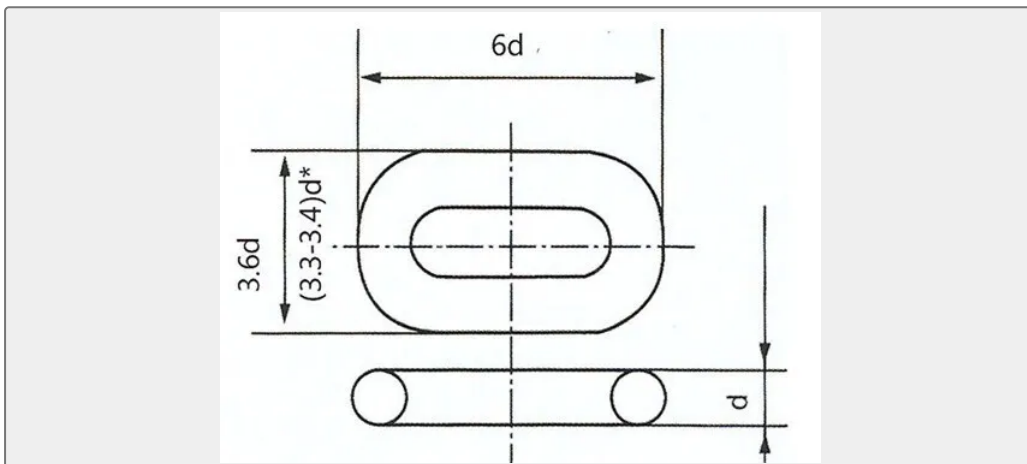
Category	Studless Link Mooring Chain	Model / SKU	R4-Offshore-Studless-Link-Mooring-Chain
Standard	EN	Material	Rolled Steel Bars
Weight / Size	Main Specification Size:	Surface	Painted
Certificate	LR, ABS,BV, GL, RINA, DNV, NK, KR, CCS	Warranty	12 Months unless specified otherwise
Origin	China		

CONTENTS

- China R4 Offshore Studless Link Mooring Chain:
 - Main Specification
- Proof Load for R4 Studless Link Mooring Chain



China R4 Offshore Studless Link Mooring Chain:



R4 Studless Link Mooring Chain has good performance for mooring system in the extreme seawater, the chains has been approved by Class Society.

Main Specification

Size: 34mm-162mm

Grade: R4

Finish: Black Painted.

Test report: LR, ABS, BV, GL, RINA, DNV, NK, KR, CCS

Proof Load for R4 Studless Link Mooring Chain

Chain Diameter	R3		R3s		R4		Weight KGS/M
	Proof Load	Breaking Load	Proof Load	Breaking Load	Proof Load	Breaking Load	
34	745	1065	831	1189	917	1308	23
36	832	1189	928	1327	1024	1461	26
38	923	1319	1030	1473	1136	1621	29
40	1019	1456	1136	1626	1254	1789	32
42	1119	1599	1248	1786	1377	1965	35



44	1223	1748	1364	1952	1505	2148	39
46	1331	1903	1485	2124	1639	2338	42
48	1444	2064	1610	2304	1777	2536	46
50	1560	2230	1740	2490	1920	2740	50
52	1681	2403	1875	2683	2069	2952	54
54	1806	2581	2014	2882	2222	3171	58
56	1934	2764	2157	3086	2380	3396	63
58	2066	2953	2304	3297	2543	3628	67
60	2202	3147	2456	3514	2710	3867	72
62	2342	3347	2612	3737	2882	4112	77
64	2485	3552	2771	3966	3058	4364	82
66	2632	3762	2935	4200	3239	4622	87
68	2782	3977	3103	4440	3424	4886	92
70	2936	4196	3274	4686	3613	5156	98
73	3173	4535	3539	5064	3905	5572	107
76	3417	4885	3812	5454	4206	6002	116
78	3584	5124	3998	5721	4411	6295	122
81	3841	5490	4284	6130	4727	6746	131
84	4104	5866	4578	6550	5051	7208	141
87	4374	6252	4879	6981	5383	7682	151
90	4651	6648	5187	7423	5724	8168	162
92	4838	6916	5397	7723	5955	8498	169
95	5125	7326	5717	8180	6308	9002	181
97	5320	7604	5934	8491	6547	9343	188
100	5616	8028	6264	8964	6912	9864	200
102	5817	8316	6489	9285	7160	10217	208
105	6123	8753	6830	9774	7536	10755	221
107	6330	9049	7061	10104	7791	11118	229
111	6751	9650	7530	10775	8309	11857	246
114	7072	10109	7888	11288	8704	12421	260
117	7398	10575	8251	11808	9105	12993	274
120	7728	11047	8620	12335	9511	13573	288
122	7951	11365	8868	12690	9785	13964	299



124	8175	11686	9118	13048	10062	14358	308
127	8515	12172	9498	13591	10480	14956	323
130	8859	12663	9881	14140	10903	15559	338
132	9090	12994	10139	14509	11188	15965	348
137	9674	13829	10791	15442	11907	16992	375
142	10268	14677	11452	16389	12637	18034	403
147	10869	15536	12123	17348	13377	19089	432
152	11476	16405	12800	18318	14125	20157	462
157	12090	17282	13485	19297	14880	21235	493
162	12708	18166	14175	20284	15641	22321	525