

Jinbo Marine

Marine & Offshore Equipment Datasheet

PRODUCT DATASHEET

STUDLESS LINK MOORING CHAIN

R5 Offshore Studless Link Mooring Chain

ISO9001 Supplier

Class Certificate

Export Supply

R5 Studless link mooring chain is highest grade mooring chain so far, best performance, withstand the extreme environment of deep sea water. Main Specification: Size: 76mm-162mm Grade: R5 ...



Key Highlights

Category	Studless Link Mooring Chain
Standard	EN
Material	Rolled Steel Bars
Weight / Size	Size:
Certificate	ABS, LR, BV, GL, RINA, DNV, NK, KR, CCS

We can supply according to your requirement, drawings, class certificate needs, and delivery schedule.

Technical Specifications

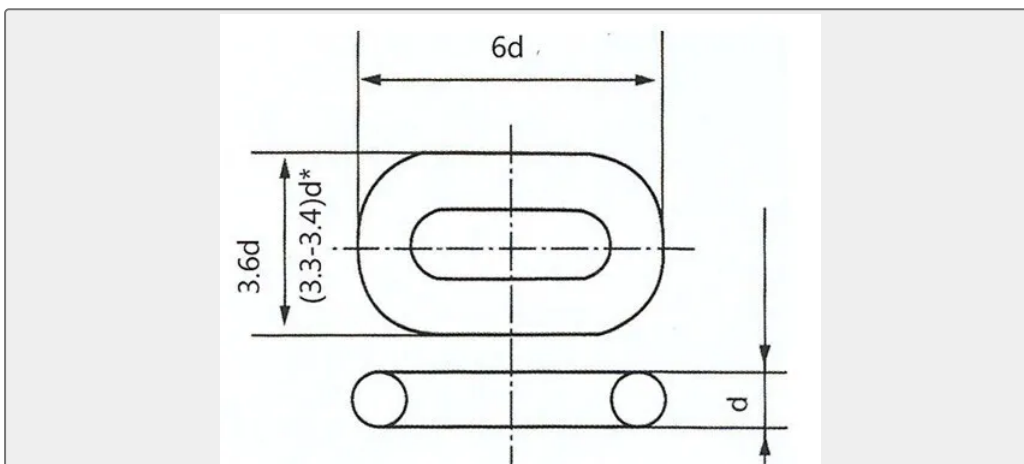
Category	Studless Link Mooring Chain	Model / SKU	R5-Offshore-Studless-Link-Mooring-Chain
Standard	EN	Material	Rolled Steel Bars
Weight / Size	Size:	Surface	Painted
Certificate	ABS, LR, BV, GL, RINA, DNV, NK, KR, CCS	Warranty	12 Months unless specified otherwise
Origin	China		

CONTENTS

- China R5 Offshore Studless Link Mooring Chain:
 - Main Specification:
 - Proof Load for R5 Studless Link Mooring Chain


 0.046042s

China R5 Offshore Studless Link Mooring Chain:



R5 Studless link mooring chain is highest grade mooring chain so far, best performance, withstand the extreme environment of deep sea water.

Main Specification:

Size: 76mm- 162mm

Grade: R5

Finish: Black Painted.

Test Report: ABS, LR, BV, GL, RINA, DNV, NK, KR, CCS

Proof Load for R5 Studless Link Mooring Chain