

TURNBUCKLE


Rigging Screw Jaw/Swage Stud, SS304 OR SS316

ISO9001 Supplier

Class Certificate

Export Supply

SIZE Φ mm Φ1 mm Φ2 mm A mm B mm C mm SWL kgs BL kgs 2.8 ...



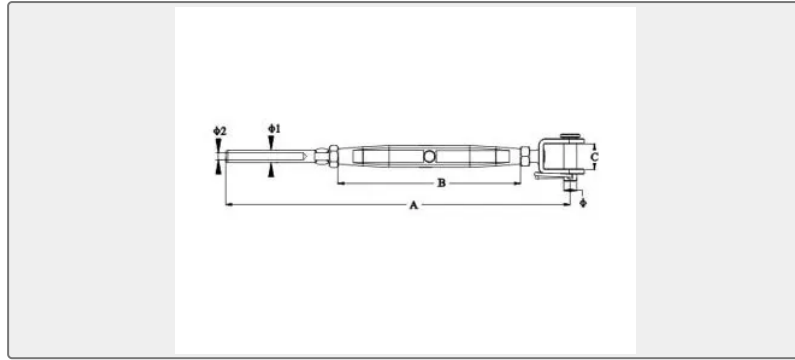
Key Highlights

Category	Turnbuckle
Material	Stainless steel
Weight / Size	SIZE Φ mm Φ1 mm Φ2 mm A mm B mm C mm SWL kgs BL kgs 2.8 5 5.5 2.8 155 80...
Certificate	ABS, LR, BV, DNVGL, NK, KR, IRS, RMRS, CCS

We can supply according to your requirement, drawings, class certificate needs, and delivery schedule.

Technical Specifications			
Category	Turnbuckle	Model / SKU	RIGGING-SCREW-JAW-SWAGE-STUD-SS304-OR-SS316
Material	Stainless steel	Weight / Size	SIZE Φ mm Φ1 mm Φ2 mm A mm B mm C mm SWL kgs BL kgs 2.8 5 5.5 2.8 155 80 10 150 600 3.5 5 6.2 3.5 155 82 6.8 200 800 3.3 6 6.35 3.3 176 92 10 250 1000 4.4 6 7.4 4.4 174 92 10.5 300 1200 4.3 8 7.5 4.3 190 112 11 350 1400 5.3 10 9 5.3 237 120 15 550 2200 6.3 12 12.58 6.3 288 150 17 1000 4000 7.3 14 14.2 7.3 331 170 15 1350 5400 8.3 16 16 8.3 372 190 20 1625 6500 10.3 20 20 10.3 459 220 30 2125 8500
Certificate	ABS, LR, BV, DNVGL, NK, KR, IRS, RMRS, CCS	Warranty	12 Months unless specified otherwise
Origin	China		

China Rigging Screw Jaw/Swage Stud, SS304 OR SS316:



SIZE	Φ mm	Φ1 mm	Φ2 mm	A mm	B mm	C mm	SWL kgs	BL kgs
2.8	5	5.5	2.8	155	80	10	150	600
3.5	5	6.2	3.5	155	82	6.8	200	800
3.3	6	6.35	3.3	176	92	10	250	1000
4.4	6	7.4	4.4	174	92	10.5	300	1200
4.3	8	7.5	4.3	190	112	11	350	1400
5.3	10	9	5.3	237	120	15	550	2200
6.3	12	12.58	6.3	288	150	17	1000	4000
7.3	14	14.2	7.3	331	170	15	1350	5400
8.3	16	16	8.3	372	190	20	1625	6500
10.3	20	20	10.3	459	220	30	2125	8500