

Jinbo Marine

Marine & Offshore Equipment Datasheet

PRODUCT DATASHEET

YACHT & BOAT ACCESSORY

Rigid Eye Snap,SS304 OR SS316 CSSH06

ISO9001 Supplier

Class Certificate

Export Supply

SIZE Φ mm A mm B mm C mm D mm SWL kgs BL kgs 0 4 54.5 ...

Key Highlights

Category	Yacht & Boat Accessory
Material	Stainless steel
Weight / Size	SIZE Φ mm A mm B mm C mm D mm SWL kgs BL kgs 0 4 54.5 22.5 11.5 6.5 40 1...
Certificate	ABS, LR, BV, DNVGL, NK, KR, IRS, RMRS, CCS

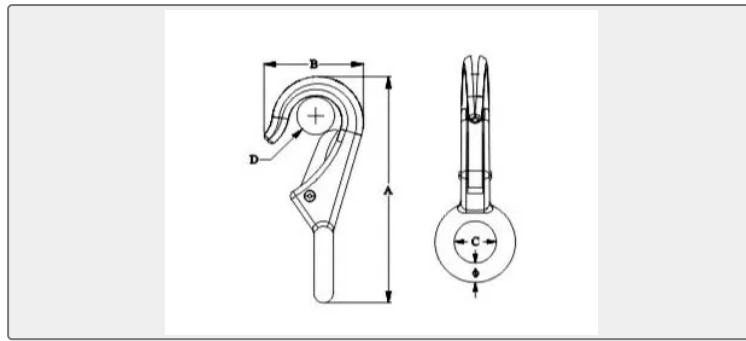
We can supply according to your requirement, drawings, class certificate needs, and delivery schedule.

Technical Specifications

Category	Yacht & Boat Accessory	Model / SKU	RIGID-EYE-SNAP-SS304-OR-SS316-CSSH06
Material	Stainless steel	Weight / Size	SIZE Φ mm A mm B mm C mm D mm SWL kgs BL kgs 0 4 54.5 22.5 11.5 6.5 40 160 1 5 72.5 29 16 10.5 50 200 2 5.5 86 34.5 19 12 75 300 3 7.5 100 41.5 19.5 12.5 113 450
Certificate	ABS, LR, BV, DNVGL, NK, KR, IRS, RMRS, CCS	Warranty	12 Months unless specified otherwise
Origin	China		

0.054834s

China Rigid Eye Snap,SS304 OR SS316 CSSH06:



SIZE	Φ mm	A mm	B mm	C mm	D mm	SWL kgs	BL kgs
0	4	54.5	22.5	11.5	6.5	40	160
1	5	72.5	29	16	10.5	50	200
2	5.5	86	34.5	19	12	75	300
3	7.5	100	41.5	19.5	12.5	113	450