

Jinbo Marine

Marine & Offshore Equipment Datasheet

PRODUCT DATASHEET

MARINE KITCHEN GALLEY

RYZ-12 Heavy Oil Heating Device

Description: RYZ heavy oil heating device is used to heat heavy diesel oil to a certain set temperature and maintain a relatively stable temperature, so as to replace light diesel oil for ship owners, auxil...

ISO9001 Supplier

Class Certificate

Export Supply



Key Highlights

Category	Marine Kitchen Galley
Standard	EN
Weight / Size	Maximum withdrawal limit 110°C Working pressure 1.0MPa Diameter of safety...
Certificate	ABS, LR, BV, DNVGL, NK, KR, IRS, RMRS, CCS

We can supply according to your requirement, drawings, class certificate needs, and delivery schedule.

Technical Specifications

Category	Marine Kitchen Galley	Model / SKU	RYZ-12-Heavy-Oil-Heating-Device
Standard	EN	Weight / Size	Maximum withdrawal limit 110°C Working pressure 1.0MPa Diameter of safety valve 225m Inlet&outlet size 232mm Height(H) 800 900 1050 1200 1300 1450
Certificate	ABS, LR, BV, DNVGL, NK, KR, IRS, RMRS, CCS	Warranty	12 Months unless specified otherwise
Origin	China		

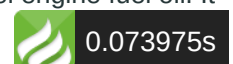
CONTENTS

- Description:

- Technical data:

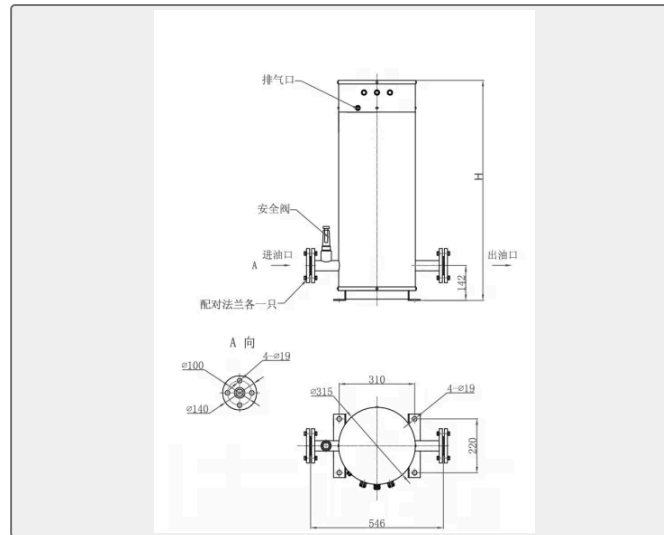
Description:

RYZ heavy oil heating device is used to heat heavy diesel oil to a certain set temperature and maintain a relatively stable temperature, so as to replace light diesel oil for ship owners, auxiliary engines and other diesel engine fuel oil. It is applicable to all kinds of ships.



0.073975s

Technical data:



Model Data Sheet	RZ-6	RYZ-9	Z-12	RYZ-15	RYZ-18	RYZ-24
Rated voltage	3P/220V/50Hz or 60Hz 3P/390W/50Hz 3P/440W/60Hz					
Rated power	6kW	9kW	12kW	15kW	1kW	24kW
Heating medium	Fuel oil, lubricating oil					
Adjustable temperature control	The control value of the temperature controller is adjusted between 50-98 °C.					
Maximum withdrawal limit	110°C					
Working pressure	1.0MPa					
Diameter of safety valve	225m					
Inlet&outlet size	232mm					
Height(H)	800	900	1050	1200	1300	1450