

Jinbo Marine

Marine & Offshore Equipment Datasheet

PRODUCT DATASHEET

HOOK

Ramshorn Hooks DIN15402

Ramshorn Hooks are popularly used in the marine lifting industry, specially for heavy loadings. Two hooks design for the good load distribution, prevents lifting sling damage and chocking at the hooks. Forged ...

ISO9001 Supplier

Class Certificate

Export Supply



Key Highlights

Category	Hook
Standard	DIN
Material	High Tensile Steel
Weight / Size	SWL Size(mm) Weight(kgs) B D d d1 d0 Type A Type B JB4801 16t 460 115 95...
Certificate	ABS, LR, BV, DNVGL, NK, KR, IRS, RMRS, CCS

We can supply according to your requirement, drawings, class certificate needs, and delivery schedule.

Technical Specifications			
Category	Hook	Model / SKU	Ramshorn-Hooks-DIN15402
Standard	DIN	Material	High Tensile Steel
Weight / Size	SWL Size(mm) Weight(kgs) B D d d1 d0 Type A Type B JB4801 16t 460 115 95 85 T80*10 41 55 JB4802 20t 505 125 110 100 T90*12 80 78 JB4803 25t 590 145 125 100 T100*12 90 112 JB4804 32t 645 160 135 120 T110*12 120 156 JB4805 40t 740 180 160 140 T120*16 159 200 JB4806 50t 810 200 170 150 T140*10 228 255 JB4807 80t 980 250 200 180 T170*16 400 472 JB4808 100t 1100 280 220 200 T180*20 580 620 JB4809 125t 1390 300 230 200 T200*20 1218 -- JB4810 160t 1490 350 240 220 T220*20 1600 - - JB4811 200t 1510 350 260 240 T240*24 2240 -- JB4812 250t 1680 400 280 260 T260*24 2980 - -	Certificate	ABS, LR, BV, DNVGL, NK, KR, IRS, RMRS, CCS
Warranty	12 Months unless specified otherwise	Origin	China

CONTENTS

- China Ramshorn Hooks DIN15402:

- Ramshorn Hooks Specification

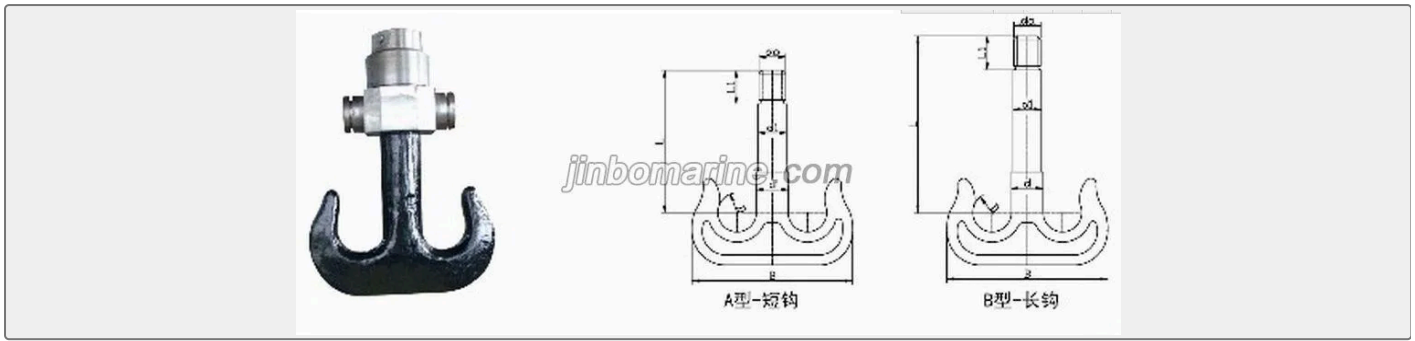
China Ramshorn Hooks DIN15402:

Ramshorn Hooks are popularly used in the marine lifting industry, specially for heavy loadings.

Two hooks design for the good load distribution, prevents lifting sling damage and chocking at the hooks.

Forged from high quality steel, our hooks can be supplied with safety catches if required and shank lengths can be forged to your particular specification to allow for machining requirements. Our hooks can be supplied as a forging only or we can machine them to your exact requirements. We can also manufacture the full assemblies complete with nut and collar.

Ramshorn Hooks Specification



Sr. No.	SWL	Size(mm)		Weight(kgs)				
		B	D	d	d1	d0	Type A	Type B
JB4801	16t	460	115	95	85	T80*10	41	55
JB4802	20t	505	125	110	100	T90*12	80	78
JB4803	25t	590	145	125	100	T100*12	90	112
JB4804	32t	645	160	135	120	T110*12	120	156
JB4805	40t	740	180	160	140	T120*16	159	200
JB4806	50t	810	200	170	150	T140*10	228	255
JB4807	80t	980	250	200	180	T170*16	400	472
JB4808	100t	1100	280	220	200	T180*20	580	620
JB4809	125t	1390	300	230	200	T200*20	1218	--
JB4810	160t	1490	350	240	220	T220*20	1600	--
JB4811	200t	1510	350	260	240	T240*24	2240	--
JB4812	250t	1680	400	280	260	T260*24	2980	--