

Jinbo Marine

Marine & Offshore Equipment Datasheet

PRODUCT DATASHEET

D RING AND LASHING EYES

Removable D Ring

1.All items are approved by major classification societies 2.customized design is available.
Material: Forged steel Finish: paint /Galvanized Weight:7.2kg MIN BREAKING LOAD:360KN
Certific...

ISO9001 Supplier

Class Certificate

Export Supply



Key Highlights

Category	D Ring And Lashing Eyes
Standard	ISO
Material	Forged steel
Weight / Size	paint /Galvanized Weight:7.2kg MIN BREAKING LOAD:360KN Certification:
Certificate	GL certificate

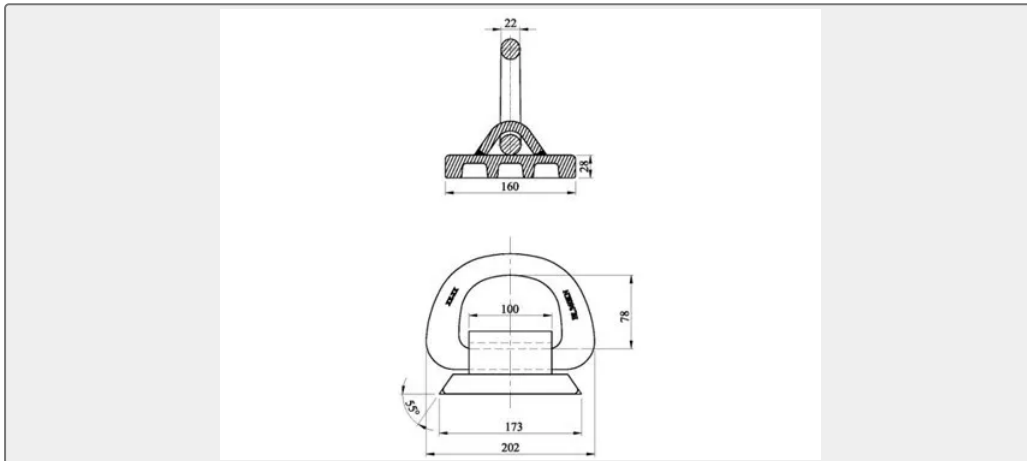
We can supply according to your requirement, drawings, class certificate needs, and delivery schedule.

Technical Specifications

Category	D Ring And Lashing Eyes	Model / SKU	Removable-D-Ring
Standard	ISO	Material	Forged steel
Weight / Size	paint /Galvanized Weight:7.2kg MIN BREAKING LOAD:360KN Certification:	Surface	Galvanized
Certificate	GL certificate	Warranty	12 Months unless specified otherwise
Origin	China		



China Removable D Ring:



- 1.All items are approved by major classification societies
- 2.customized design is available.

Material: Forged steel

Finish: paint /Galvanized

Weight:7.2kg

MIN BREAKING LOAD:360KN

Certification: All items are approved by major classification societies

Remarks: customized design is available

Our scope of supply(cotainer fastners) covers the follows:

D-ring, Lashing plate, Raised ISO foundations, Dovetail foundations, Flush sockets, Sliding foundations, Guide cone, Guide block, Turnbuckles, Lashing rods, Extension rods, Manual twistlocks, Semi-automatic twistlocks, Midlocks, Sliding twistlocks, Bridge fittings, Single stackers, Double stackers, Hanging stackers, ETC.