

Jinbo Marine

Marine & Offshore Equipment Datasheet

PRODUCT DATASHEET


STEEL CARGO BLOCK

Ricotto Blocks

- ISO9001 Supplier
- Class Certificate
- Export Supply

Drawing: Picture: Specification: stock no. will(t) wire(mm) Bearing dimensions(mm) weight(kg)

...

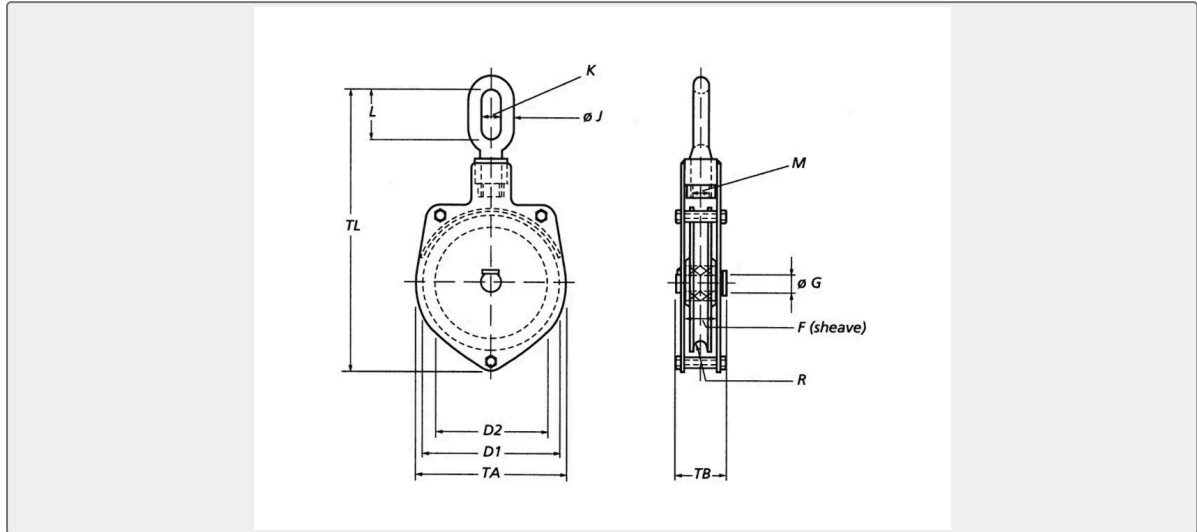
	<div style="background-color: #1a3d4d; color: white; padding: 5px;">Key Highlights</div> <table border="1" style="width: 100%; border-collapse: collapse;"> <tr> <td style="width: 20%;">Category</td> <td>Steel Cargo Block</td> </tr> <tr> <td>Standard</td> <td>EN</td> </tr> <tr> <td>Weight / Size</td> <td>will(t) wire(mm) Bearing dimensions(mm) weight(kg) D1 D2 F ΦG ΦJ K L M R...</td> </tr> <tr> <td>Certificate</td> <td>ABS, LR, BV, DNVGL, NK, KR, IRS, RMRS, CCS</td> </tr> </table> <p style="font-size: small; margin-top: 10px;">We can supply according to your requirement, drawings, class certificate needs, and delivery schedule.</p>	Category	Steel Cargo Block	Standard	EN	Weight / Size	will(t) wire(mm) Bearing dimensions(mm) weight(kg) D1 D2 F ΦG ΦJ K L M R...	Certificate	ABS, LR, BV, DNVGL, NK, KR, IRS, RMRS, CCS
Category	Steel Cargo Block								
Standard	EN								
Weight / Size	will(t) wire(mm) Bearing dimensions(mm) weight(kg) D1 D2 F ΦG ΦJ K L M R...								
Certificate	ABS, LR, BV, DNVGL, NK, KR, IRS, RMRS, CCS								

Technical Specifications			
Category	Steel Cargo Block	Model / SKU	Ricotto-Blocks
Standard	EN	Weight / Size	will(t) wire(mm) Bearing dimensions(mm) weight(kg) D1 D2 F ΦG ΦJ K L M R TA TB TL 15.250.05.10 5 20 TP 250 215 51 30 26 40 94 33 11 260 90 520 21 15.251.05.10 5 20 RB 250 215 51 30 26 40 94 33 11 260 90 520 21 15.300.07.10 7 20 TP 300 250 62 40 29 45 108 43 11 310 100 645 32 15.301.07.10 7 20 RB 300 250 62 40 29 45 108 43 11 310 100 645 32 Product Advantage:
Certificate	ABS, LR, BV, DNVGL, NK, KR, IRS, RMRS, CCS	Warranty	12 Months unless specified otherwise
Origin	China		

CONTENTS

- Drawing:
 - Specification:
 - Packing and Delivery :
- Picture:
 - Product Advantage:
 - How to Order?

Drawing:



Picture:



dqmarine.com

Specification:

stock no.	will(t)	wire(mm)	Bearing	dimensions(mm)											weight(kg)	
				D 1	D 2	F	Φ G	Φ J	K	L	M	R	T A	T B		T L
15.250.05.10	5	20	TP	250	215	51	30	26	40	94	33	11	260	90	520	21

15.251.05. 10	5	20	RB	25 0	21 5	5 1	30	26	4 0	9 4	33	1 1	2 6 0	9 0	5 2 0	21
15.300.07. 10	7	20	TP	30 0	25 0	6 2	40	29	4 5	1 0 8	43	1 1	3 1 0	1 0 0	6 4 5	32
15.301.07. 10	7	20	RB	30 0	25 0	6 2	40	29	4 5	1 0 8	43	1 1	3 1 0	1 0 0	6 4 5	32

Product Advantage:

- 1.Satisfactory Quality
- 2.Competitive Price
- 3.Prompt Delivery
- 4.7x24 hours service

Packing and Delivery :

1. Standard Export Packing or Seaworthy Packing, if you have special requirement, please specify when inquiry.
2. Fast Delivery, delivery time can negotiate when order.

How to Order?

1. Please inform us the model, type or size you need.
2. Please inform us the quantity to make the best price for you.
3. Shipment Model: Air or Sea shipment.
4. Special requirement if any.