

# Jinbo Marine

Marine & Offshore Equipment Datasheet

PRODUCT DATASHEET

## RUDDER STOCK SEAL

# Roller upper rudder carrier CB 789-87

Product Advantage It is suitable for small and medium vessels with upper and lower rudder constructions. Type Name Rudder Pintle Diameter ...

ISO9001 Supplier

Class Certificate

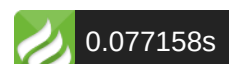
Export Supply



### Key Highlights

Category	Rudder Stock Seal
Standard	GB
Weight / Size	400 It has the advantages of type B and Sealing Features Roller upper ru...
Certificate	CCS,BV

We can supply according to your requirement, drawings, class certificate needs, and delivery schedule.



## Technical Specifications

Category	Rudder Stock Seal	Model / SKU	Roller-upper-rudder-carrier



Standard	GB	Weight / Size	<p>400 It has the advantages of type B and Sealing Features Roller upper rudder carrier CB 789-87 Type A Type Dimensions (mm) Bearing Designation GB286-84 Fixing Bolt Weight (kg) d d0 d1 d3 D1 D2 t h h1 H H1 Quantity Diameter A 40 40 34 39 200 108 170 14 10 36 60 22 7208 6 M12 6.1 50 50 44 49 210 120 180 14 10 40 66 22 7210 6 M12 6.7 60 60 54 59 230 140 200 15 10 44 70 25 7212 6 M12 8.2 70 70 60 69 260 155 220 15 10 46 72 25 7214 6 M16 10.7 80 80 70 79 290 180 250 18 12 49 79 25 7216 6 M12 15.7 90 90 80 89 320 200 280 20 12 58 91 30 7218 6 M16 22.8 100 100 90 98 340 220 300 20 12 65 94 34 7220 6 M16 25.3 110 110 100 108 360 240 320 20 12 69 98 34 7222 6 M16 30.2 120 120 114 118 380 260 340 20 14 72 102 34 7224 6 M18 35.4 130 130 114 128 410 290 370 22 14 74 112 36 7226 6 M18 50.1 140 140 124 138 440 310 395 25 14 77 113 36 7228 6 M20 58.6 150 150 134 148 460 330 415 25 14 79 117 36 7230 6 M20 68.7 Roller upper rudder carrier CB 789-87 Type B Type Dimensions (mm) Bearing Designation GB286-84 Fixing Bolt Weight (kg) d d0 d1 d2 d3 D1 D2 t h h1 h2 H H1 Quantity Diameter B 120 120 110 119 130 350 220 310 16 20 46 15 106 30 3003124 6 M18 25.2 130 130 120 128 140 370 240 330 16 20 52 15 114 30 3003126 6 M18 31.3 140 140 130 138 150 390 250 650 16 20 53 15 120 30 3001228 6 M20 35 150 150 140 148 160 400 265 360 16 20 56 15 125 30 3003130 6 M20 40 160 160 150 158 172 420 286 380 18 20 60 18 127 30 3003132 6 M20 49.7 170 170 160 168 182 435 300 395 18 20 67 18 134 35 3003134 6 M20 59.6 180 180 168 178 192 460 315 450 18 22 74 18 143 38 3003136 6 M20 63 190 190 178 188 202 490 340 0.077158s</p>
----------	----	---------------	--

24 75 18 158 38 3003138 6 M20  
 72 200 200 188 198 212 520 362  
 470 20 25 82 18 163 40 3003140  
 6 M20 94.8 220 220 208 218 234  
 550 392 500 20 25 90 20 171 40  
 3003144 6 M24 107.5 240 240  
 228 238 254 570 410 520 20 25  
 92 20 173 40 3003148 6 M24 118  
 260 260 245 258 278 650 460 585  
 25 28 104 20 192 42 3003052 6  
 M24 176.5 280 280 265 278 298  
 670 480 605 25 28 106 20 201 42  
 3003156 6 M27 192 300 300 285  
 298 320 720 520 650 30 30 118 24  
 210 50 3003160 6 M30 210 320  
 320 305 318 340 750 550 680 30  
 30 121 24 215 60 3003164 6 M30  
 233 340 340 325 338 360 780 580  
 710 30 32 133 24 230 60 3003168  
 6 M30 272 Roller upper rudder  
 carrier CB 789-87 Type C Type  
 Dimensions (mm) Bearing  
 Designation GB286-84 Fixing Bolt  
 Weight (kg) d d0 d1 d3 D1 D2 t h  
 h1 h2 H H1 Quantity Diameter C  
 120 120 110 119 370 220 320 22  
 20 46 15 179 50 3003124 12 M20  
 37.1 130 130 120 128 390 240  
 340 22 20 52 15 188 50 3003126  
 12 M20 44.3 140 140 130 138 390  
 240 340 22 20 53 15 190 50  
 3003128 12 M20 45.4 150 150  
 140 148 410 260 350 22 20 56 15  
 192 50 3003130 12 M20 53.3 160  
 160 150 158 435 280 385 24 20  
 60 18 198 60 3003132 12 M22  
 64.2 170 170 160 168 455 300  
 405 24 20 67 18 211 60 3003134  
 12 M22 86.6 180 180 168 178 470  
 315 420 24 22 74 18 229 65  
 3003136 12 M22 90.3 190 190  
 178 188 490 330 440 25 24 75 18  
 245 65 3003138 12 M24 96.4 200  
 200 188 198 520 360 470 25 25  
 82 18 248 70 3003140 12 M24  
 107 220 220 208 218 540 370 485  
 25 25 90 20 256 70 3003144 12  
 M24 113.5 240 240 228 238 550  
 380 495 25 25 92 20 258 70  
 3003148 12 M24 128.3 260 260  
 245 258 600 420 540 28 28 104  
 20 280 70 3003152 12 0.077158s

			280 280 265 278 640 440 575 28 28 128 20 287 80 3003156 12 M27 202 300 300 285 298 700 510 630 28 30 118 24 308 80 3003160 12 M27 259 320 320 305 318 720 520 650 32 30 121 24 313 80 3003164 12 M30 286.5 340 340 325 338 760 560 690 32 32 133 24 323 80 3003168 12 M30 336 360 360 345 358 790 580 720 32 32 134 24 324 80 3003172 12 M30 367.5 Upper Rudder Carrier
<b>Certificate</b>	CCS,BV	<b>Warranty</b>	12 Months unless specified otherwise
<b>Origin</b>	China		

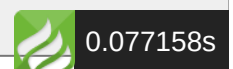
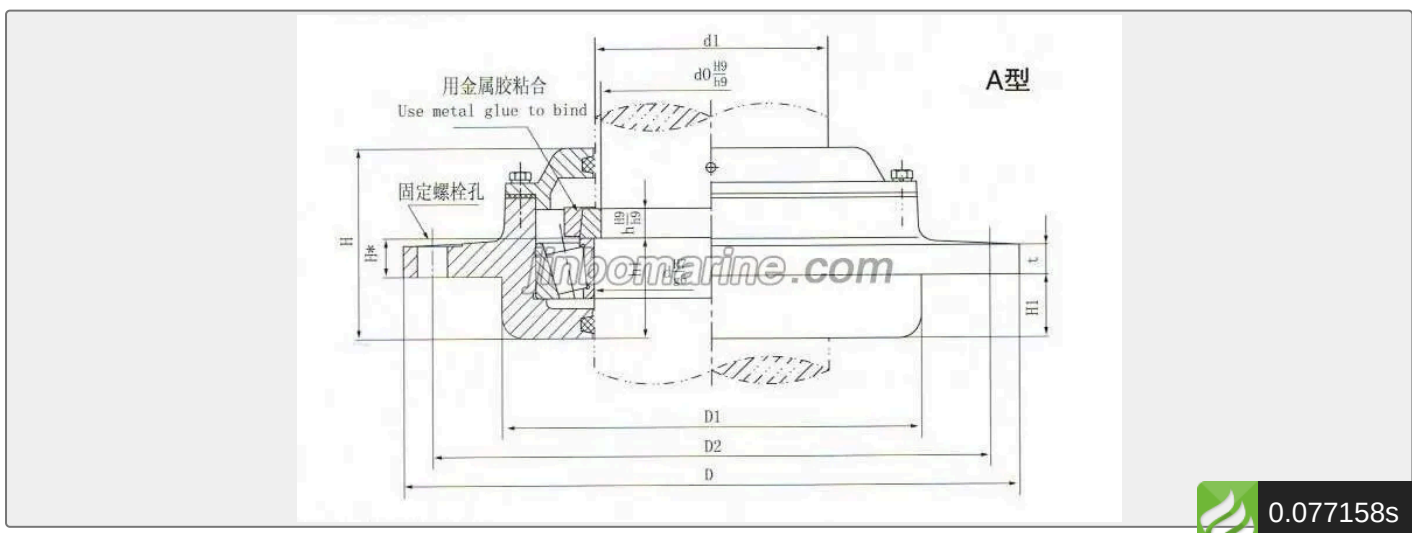
<b>CONTENTS</b>	■ Product Advantage	■ Roller upper rudder carrier CB 789-87 Type A
	■ Roller upper rudder carrier CB 789-87 Type B	■ Roller upper rudder carrier CB 789-87 Type C

## Product Advantage

It is suitable for small and medium vessels with upper and lower rudder constructions.

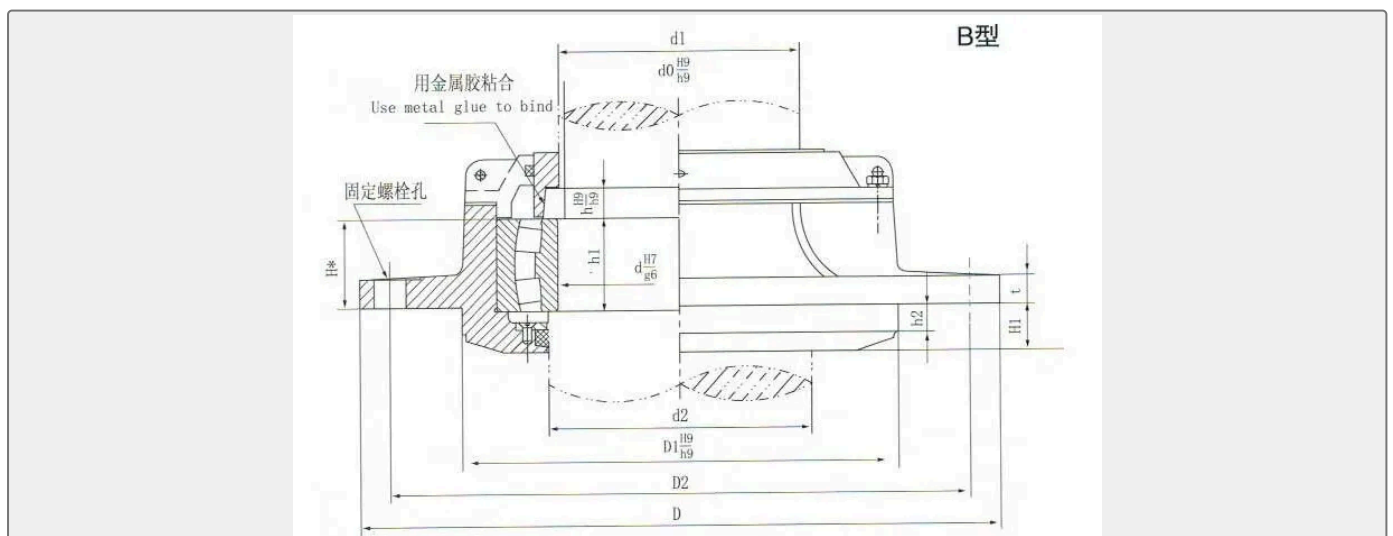
Type	Name	Rudder Pintle Diameter	Application
A	Light Roller Upper Rudder Carrier	Dia.40-Dia.150	Used to rudders with small loads and pintles of small flexibility
B	Heavy Roller Upper Rudder Carrier	Dia. 120- Dia.340	Automatic self-aligning ability and suitable for hinged rudder with heavy loads under bad situation
C	Watertight Roller Upper Rudder Carrier	Dia.120mm- Dia. 400	It has the advantages of type B and Sealing Features

## Roller upper rudder carrier CB 789-87 Type A



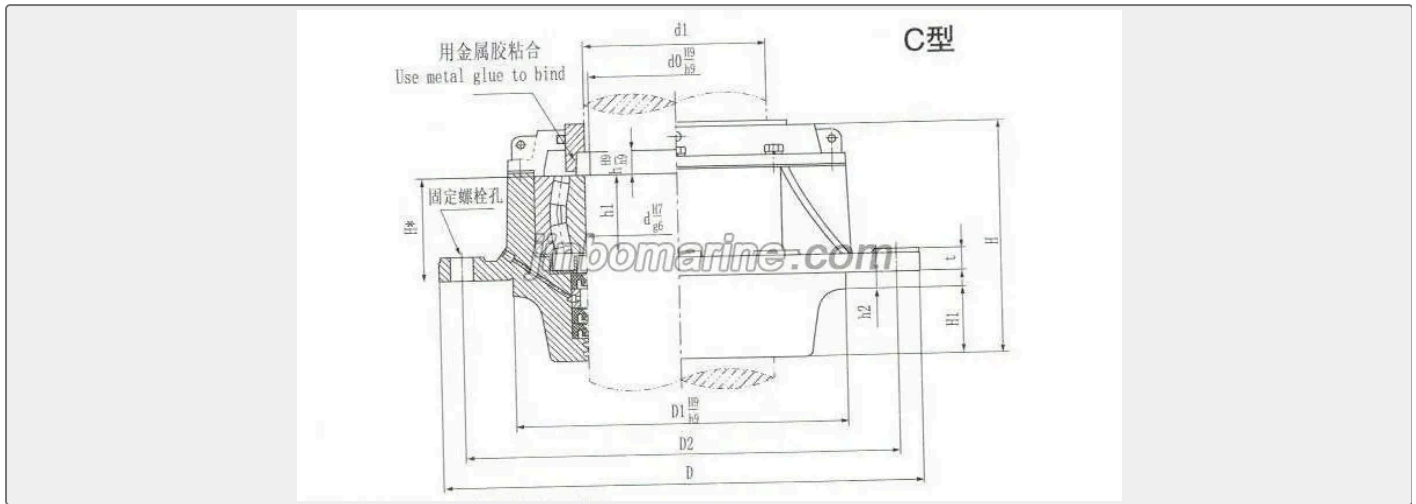
Type	Dimensions (mm)											Bearing Designation GB286-84	Fixing Bolt		Weight (kg)	
	d	d0	d1	d3	D1	D2	t	h	h1	H	H1		Quantity	Diameter		
A	40	40	34	39	200	108	170	14	10	36	60	22	7208	6	M12	6.1
	50	50	44	49	210	120	180	14	10	40	66	22	7210	6	M12	6.7
	60	60	54	59	230	140	200	15	10	44	70	25	7212	6	M12	8.2
	70	70	60	69	260	155	220	15	10	46	72	25	7214	6	M16	10.7
	80	80	70	79	290	180	250	18	12	49	79	25	7216	6	M12	15.7
	90	90	80	89	320	200	280	20	12	53	91	30	7218	6	M16	22.8
	100	100	90	98	340	220	300	20	12	55	94	34	7220	6	M16	25.3
	110	110	100	108	360	240	320	20	12	59	98	34	7222	6	M16	30.2
	120	120	110	118	380	260	340	20	14	62	102	34	7224	6	M18	35.4
	130	130	110	128	410	290	370	22	14	64	112	36	7226	6	M18	50.1
	140	140	120	138	440	310	390	22	14	67	113	36	7228	6	M20	58.6
	150	150	130	148	460	330	410	22	14	69	117	36	7230	6	M20	68.7

## Roller upper rudder carrier CB 789-87 Type B



Type	Dimensions (mm)													Bearing Designation GB286-84	Fixing Bolt		Weight (kg)	
	d	d0	d1	d2	d3	D1	D2	t	h	h1	h2	H	H1		Quantity	Diameter		
B	120	120	110	119	130	350	220	310	16	20	46	15	106	30	3003124	6	M18	25.2
	130	130	120	128	140	370	240	330	16	20	52	15	114	30	3003126	6	M18	31.3
	140	140	130	138	150	390	250	650	16	20	53	15	120	30	3001228	6	M20	35
	150	150	140	148	160	400	265	360	16	20	56	15	125	30	3003130	6	M20	40
	160	160	150	158	172	420	286	380	18	20	60	18	127	30	3003132	6	M20	49.7
	170	170	160	168	182	435	300	395	18	20	67	18	134	35	3003134	6	M20	59.6
	180	180	168	178	192	460	315	450	18	22	74	18	143	38	3003136	6	M20	62
	190	190	178	188	202	490	330	440	18	24	75	18	158	38	3003138	6	M20	72
	200	200	188	198	212	520	362	470	20	25	82	18	163	40	3003140	6	M20	94.8
	220	220	208	218	234	550	392	500	20	25	90	20	171	40	3003144	6	M24	107.5
	240	240	228	238	254	570	410	520	20	25	92	20	173	40	3003148	6	M24	118
	260	260	245	258	278	650	460	585	25	28	104	20	192	42	3003052	6	M24	176.5
	280	280	265	278	298	670	480	605	25	28	106	20	201	42	3003156	6	M27	192
	300	300	285	298	320	720	520	650	30	30	118	24	210	50	3003160	6	M30	210
	320	320	305	318	340	750	550	680	30	30	121	24	215	60	3003164	6	M30	233
	340	340	325	338	360	780	580	710	30	32	133	24	230	60	3003168	6	M30	272

# Roller upper rudder carrier CB 789-87 Type C



Type	Dimensions (mm)												Bearing Designation n GB286-84	Fixing Bolt		Weight (kg)
	d	d0	d1	d3	D1	D2	t	h	h1	h2	H	H1		Quantity	Diameter	

C	120	120	110	119	370	220	320	22	20	46	15	179	50	3003124	12	M20	37.1
	130	130	120	128	390	240	340	22	20	52	15	188	50	3003126	12	M20	44.3
	140	140	130	138	390	240	340	22	20	53	15	190	50	3003128	12	M20	45.4
	150	150	140	148	410	260	350	22	20	56	15	192	50	3003130	12	M20	53.3
	160	160	150	158	435	280	385	24	20	60	18	198	60	3003132	12	M22	64.2
	170	170	160	168	455	300	405	24	20	67	18	211	60	3003134	12	M22	86.6
	180	180	168	178	470	315	420	24	22	74	18	229	65	3003136	12	M22	90.3
	190	190	178	188	490	330	440	25	24	75	18	245	65	3003138	12	M24	96.4
	200	200	188	198	520	360	470	25	25	82	18	248	70	3003140	12	M24	107
	220	220	208	218	540	370	485	25	25	90	20	256	70	3003144	12	M24	113.5
	240	240	228	238	550	380	495	25	25	92	20	258	70	3003148	12	M24	128.3
	260	260	245	258	600	420	540	28	28	104	20	280	70	3003152	12	M24	170
	280	280	265	278	640	440	575	28	28	128	20	287	80	3003156	12	M27	202
	300	300	285	298	700	510	630	28	30	118	24	308	80	3003160	12	M27	259
	320	320	305	318	720	520	650	32	30	121	24	313	80	3003164	12	M30	286.5
340	340	325	338	760	560	690	32	32	133	24	323	80	3003168	12	M30	336	
360	360	345	358	790	580	720	32	32	134	24	324	80	3003172	12	M30	367.5	

Upper Rudder Carrier

