

Jinbo Marine

Marine & Offshore Equipment Datasheet

PRODUCT DATASHEET

STEEL CARGO BLOCK

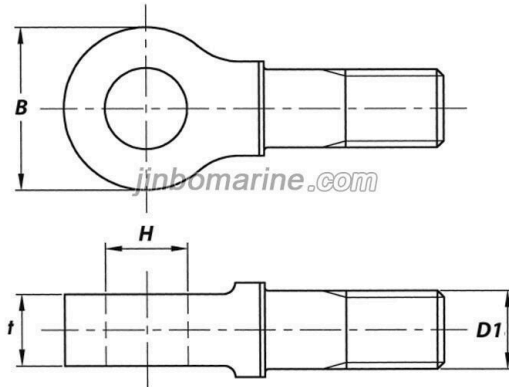
Round Eye Head Fittings

Drawing: Specification: Nominal size Will(t) Dimensions (mm) Thread D1 t H B ...

ISO9001 Supplier

Class Certificate

Export Supply



Key Highlights

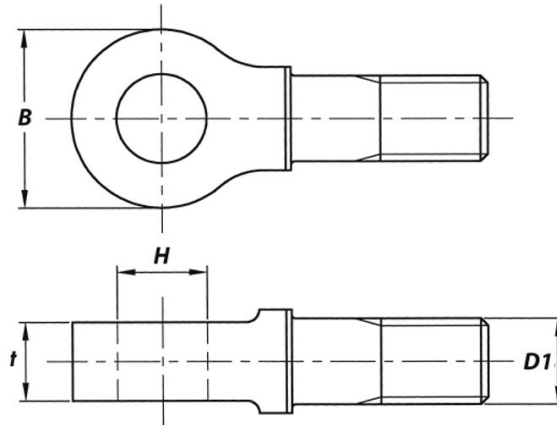
Category	Steel Cargo Block
Standard	EN
Weight / Size	Nominal size Will(t) Dimensions (mm) Thread D1 t H B Bolt 1 1 16 18 35 1...
Certificate	ABS, LR, BV, DNVGL, NK, KR, IRS, RMRS, CCS

We can supply according to your requirement, drawings, class certificate needs, and delivery schedule.

Technical Specifications			
Category	Steel Cargo Block	Model / SKU	Round-Eye-Head-Fittings
Standard	EN	Weight / Size	Nominal size Will(t) Dimensions (mm) Thread D1 t H B Bolt 1 1 16 18 35 16 M18 2 2 22 25 50 22 M24 2.5 2.5 25 27 55 24 M27 3 3.2 28 30 60 27 M30 4 4 30 33 65 30 M33 5 5 35 39 75 36 M36 6 6.3 40 42 85 39 M42 8 8 45 48 95 45 M45 10 10 50 52 110 48 M52 12 12.5 55 56 120 52 M56 16 16 60 65 130 60 M64 20 20 65 74 140 68 M72*6 25 25 70 78 150 72 M76*6 32 32 80 86 170 80 M80*6 40 40 90 96 190 90 M90*6 50 50 100 106 210 100 M100*6 63 63 110 116 230 110 M110*6 80 80 125 131 270 125 M120*6 100 100 140 146 296 140 M130*6 125 125 160 168 336 160 M140*6 160 160 180 188 380 180 M160*6 200 200 200 208 420 200 M180*6 250 250 220 230 460 220 M200*6 Product Advantage:
Certificate	ABS, LR, BV, DNVGL, NK, KR, IRS, RMRS, CCS	Warranty	12 Months unless specified otherwise
Origin	China		

CONTENTS	■ Drawing:	■ Specification:
	■ Packing and Delivery :	■ How to Order?

Drawing:



dqmarine.com

Specification:

Nominal size	Will(t)	Dimensions (mm)				Thread D1
		t	H	B	Bolt	
1	1	16	18	35	16	M18
2	2	22	25	50	22	M24
2.5	2.5	25	27	55	24	M27
3	3.2	28	30	60	27	M30
4	4	30	33	65	30	M33
5	5	35	39	75	36	M36
6	6.3	40	42	85	39	M42
8	8	45	48	95	45	M45
10	10	50	52	110	48	M52
12	12.5	55	56	120	52	M56
16	16	60	65	130	60	M64
20	20	65	74	140	68	M72*6
25	25	70	78	150	72	M76*6
32	32	80	86	170	80	M80*6
40	40	90	96	190	90	M90*6
50	50	100	106	210	100	M100*6
63	63	110	116	230	110	M110*6

80	80	125	131	270	125	M120*6
100	100	140	146	296	140	M130*6
125	125	160	168	336	160	M140*6
160	160	180	188	380	180	M160*6
200	200	200	208	420	200	M180*6
250	250	220	230	460	220	M200*6

Product Advantage:

- 1.Satisfactory Quality
- 2.Competitive Price
- 3.Prompt Delivery
- 4.7x24 hours service

Packing and Delivery :

1. Standard Export Packing or Seaworthy Packing, if you have special requirement, please specify when inquiry.
2. Fast Delivery, delivery time can negotiate when order.

How to Order?

1. Please inform us the model, type or size you need.
2. Please inform us the quantity to make the best price for you.
3. Shipment Model: Air or Sea shipment.
4. Special requirement if any.