

Jinbo Marine

Marine & Offshore Equipment Datasheet

PRODUCT DATASHEET

OTHER MARINE VALVES & ACCESSORIES

Round Strum Box CB623-80

Strum Box is used as the suction on the oil tanker, water tanker, ballasting and cargo, also called as rose box, suction box, suction screen...etc. Standard: CB623-80 Material: Carbon Steel with galvanization...

ISO9001 Supplier

Class Certificate

Export Supply



Key Highlights

Category	Other Marine Valves & Accessories
Standard	CB
Material	Carbon Steel
Weight / Size	Carbon Steel with galvanization Type Name Nominal Size(DN) A Round Strum...
Certificate	Mill certificate

We can supply according to your requirement, drawings, class certificate needs, and delivery schedule.

Technical Specifications

Category	Other Marine Valves & Accessories	Model / SKU	Round-Strum-Box-CB623-80
Standard	CB	Material	Carbon Steel
Weight / Size	Carbon Steel with galvanization Type Name Nominal Size(DN) A Round Strum Box with Clamp Ring 25~100 B Round Strum Box 125~250 C Wedge strum Box with Clamp Ring 40~100 D Wedge strum Box 125,150 Main Size List(mm):	Certificate	Mill certificate
Warranty	12 Months unless specified otherwise	Origin	China

CONTENTS

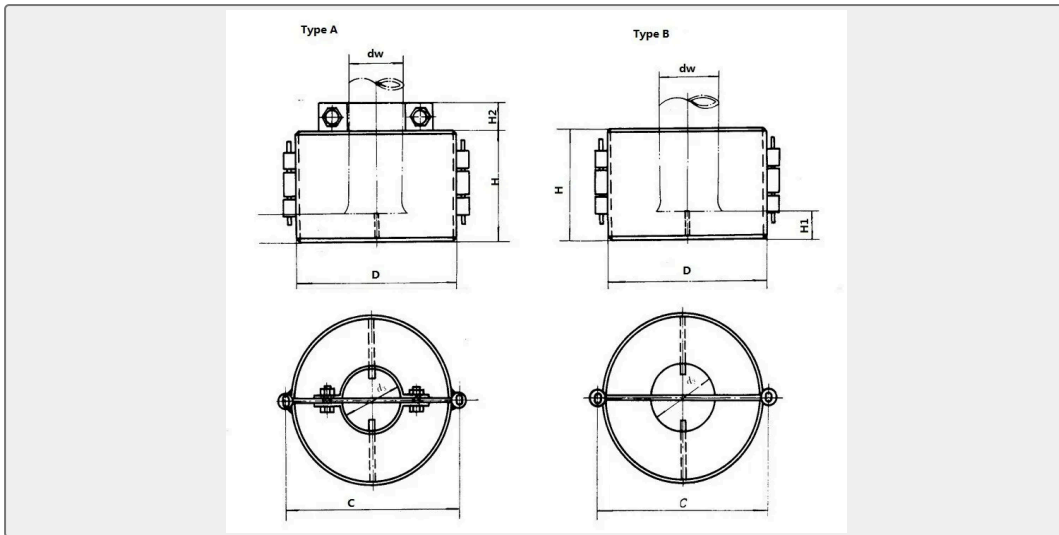
■ China Round Strum Box CB623-80:

■ Main Size List(mm):



0.057197s

China Round Strum Box CB623-80:



Strum Box is used as the suction on the oil tanker, water tanker, ballasting and cargo, also called as rose box, suction box, suction screen...etc.

Standard: CB623-80

Material: Carbon Steel with galvanization

Type	Name	Nominal Size(DN)
A	Round Strum Box with Clamp Ring	25~100
B	Round Strum Box	125~250
C	Wedge strum Box with Clamp Ring	40~100
D	Wedge strum Box	125,150

Main Size List(mm):

DN	Pipe Outer Diameter			Structrual Size									Weight (kgs)									
	Steel Pipe	Copper Pipe	Water Gas Pipe	d3	H	H1	H2	D	L	L1	L2	C		A	B	C	D	Steel	Copper	Steel	Copper	
												Type A	Type B									



25	32	32	33.5	34	63	10	22	78	—	—	—	88	—	0.328	0.365	—	—	—	—	—	—
32	38	38	42.25	45		12		103	—	—	—	113	—	0.43	0.465	—	—	—	—	—	—
40	45	45	48	50	75	15		124	110	110	60	134	120	0.727	0.784	—	—	0.55	0.59	—	—
50	56	56	60	62	88	18		134			70	144		0.868	0.923	—	—	0.78	0.838	—	—
65	70	70	75.5	78	100	22		144	130	120	80	154	140	0.942	1.02	—	—	1.326	1.432		
80	89	89	88.5	92	112	25		168	165	146	100	178	175	1.462	1.59	—	—	1.396	1.506		
100	108	108	114	116	136	30		204	210	180	120	216	224	2.03	2.23	—	—	2.096	2.26		
125	133	133	140	142	158	38	—	266	268	222	142	280	282	—	—	3.546	3.938	—	—	3.79	4.09
150	159	159	165	168	186	45	—	302	310	260	174	316	324	—	—	5.341	5.772	—	—	5.73	6.038
200	219	206	—	225/215	234	62	—	396	—	—	—	410	—	—	—	8.852	9.574	—	—	—	—
250	273	258	—	280/264	306	75	—	456	—	—	—	464	—	—	—	11.16	11.64	—	—	—	—

