

HANGER AND ELASTIC SUPPORT

Rubber Elastic Support

The elastic elements are made by special type rubber, it has fine vibration resistance and impact resistance. Advantage: High temperature, low temperature resistance, oil resistance and aging resistance. Th...

- ISO9001 Supplier
- Class Certificate
- Export Supply



Key Highlights

Category	Hanger And Elastic Support
Standard	EN
Weight / Size	Dimension Rubber Elastic Support Main Specifications Model Size Static L...
Certificate	ABS, LR, BV, DNVGL, NK, KR, IRS, RMRS, CCS

We can supply according to your requirement, drawings, class certificate needs, and delivery schedule.

Technical Specifications

Category	Hanger And Elastic Support	Model / SKU	Rubber-Elastic-Support
Standard	EN	Weight / Size	Dimension Rubber Elastic Support Main Specifications Model Size Static Load Workload A(mm) B(mm) C(mm) D(mm) E(mm) F(mm) G(mm) M(mm) kgf kgf VP-021 184 150 85 13 M20 400 120 VP-025 155 124 70 20 87 11 115 M12 500 160 VP-026 160 130 92 25 100 13 125 M16 1000 350 VP-027 200 160 114 74 126 17 165 M16 1500 500 VP-030 235 196 132 75 144 17 165 M16 2000 700
Certificate	ABS, LR, BV, DNVGL, NK, KR, IRS, RMRS, CCS	Warranty	12 Months unless specified otherwise
Origin	China		



CONTENTS

- China Rubber Elastic Support: ■ Dimension
- Rubber Elastic Support Main Specifications

China Rubber Elastic Support:

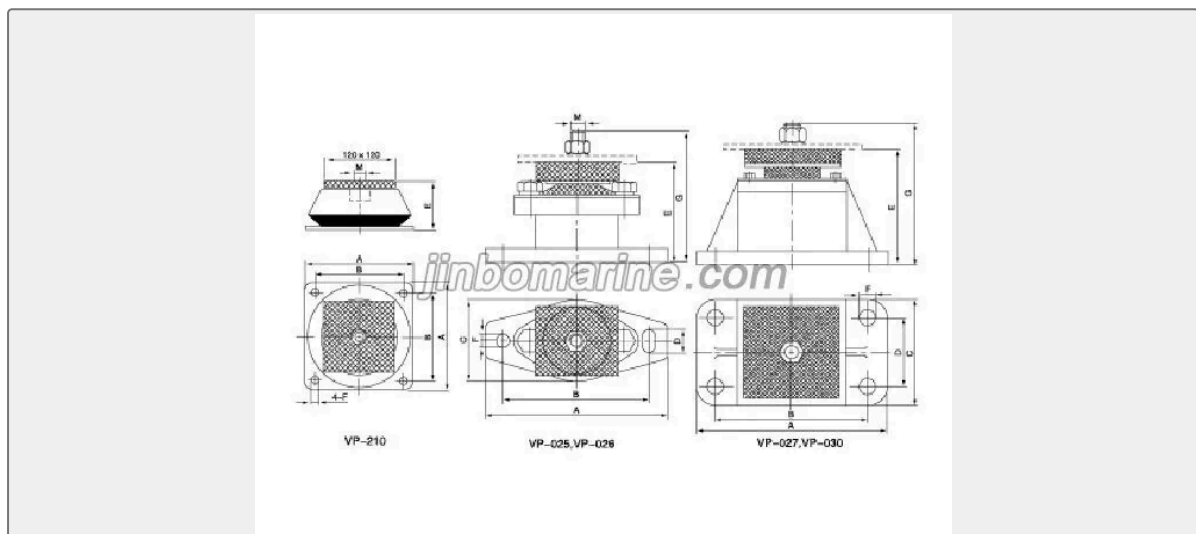
The elastic elements are made by special type rubber, it has fine vibration resistance and impact resistance.

Advantage: High temperature, low temperature resistance, oil resistance and aging resistance.

The support adopts the insulating cushion so it can receive high load and the higher temperature.

Applicable range: suitable for exhaust pipe.

Dimension



Rubber Elastic Support Main Specifications

Model	Size								Static Load	Workload
	A(mm)	B(mm)	C(mm)	D(mm)	E(mm)	F(mm)	G(mm)	M(mm)	kgf	kgf
VP-021	184	150	85	13	M20	400	120			
VP-025	155	124	70	20	87	11	115	M12	500	160
VP-026	160	130	92	25	100	13	125	M16	1000	350
VP-027	200	160	114	74	126	17	165	M16	1500	500
VP-030	235	196	132	75	144	17	165	M16	2000	700