

Jinbo Marine

Marine & Offshore Equipment Datasheet

PRODUCT DATASHEET

OIL PURIFIER

SBL Semi-Automatic Cleaning Filter

Description: SBL semi-automatic cleaning filter is mainly used for fuel oil, lube oil and diesel oil which can filter insoluble oil contaminants to keep the oil clean. Filter element type is candle type, t...

ISO9001 Supplier

Class Certificate

Export Supply

|  | <table border="1"> <thead> <tr> <th colspan="2">Key Highlights</th> </tr> </thead> <tbody> <tr> <td>Category</td> <td>Oil Purifier</td> </tr> <tr> <td>Standard</td> <td>EN</td> </tr> <tr> <td>Material</td> <td>Then we can clean the filter without stopping it 2.Material of filter sc...</td> </tr> <tr> <td>Weight / Size</td> <td>Type Flow Rate m3/h (Reference) Diameter and connection dimension (mm) O...</td> </tr> <tr> <td>Certificate</td> <td>ABS, LR, BV, DNVGL, NK, KR, IRS, RMRS, CCS</td> </tr> <tr> <td colspan="2">We can supply according to your requirement, drawings, class certificate needs, and delivery schedule.</td> </tr> </tbody> </table> | Key Highlights | | Category | Oil Purifier | Standard | EN | Material | Then we can clean the filter without stopping it 2.Material of filter sc... | Weight / Size | Type Flow Rate m3/h (Reference) Diameter and connection dimension (mm) O... | Certificate | ABS, LR, BV, DNVGL, NK, KR, IRS, RMRS, CCS | We can supply according to your requirement, drawings, class certificate needs, and delivery schedule. | |
|--|--|----------------|--|----------|--------------|----------|----|----------|---|---------------|---|-------------|--|--|--|
| Key Highlights | | | | | | | | | | | | | | | |
| Category | Oil Purifier | | | | | | | | | | | | | | |
| Standard | EN | | | | | | | | | | | | | | |
| Material | Then we can clean the filter without stopping it 2.Material of filter sc... | | | | | | | | | | | | | | |
| Weight / Size | Type Flow Rate m3/h (Reference) Diameter and connection dimension (mm) O... | | | | | | | | | | | | | | |
| Certificate | ABS, LR, BV, DNVGL, NK, KR, IRS, RMRS, CCS | | | | | | | | | | | | | | |
| We can supply according to your requirement, drawings, class certificate needs, and delivery schedule. | | | | | | | | | | | | | | | |

| Technical Specifications | | | |
|--------------------------|---|--------------------|---|
| Category | Oil Purifier | Model / SKU | SBL-Semi-Automatic-Cleaning-Filter |
| Standard | EN | Material | Then we can clean the filter without stopping it 2.Material of filter screen is 1Cr18Ni9Ti. |
| Weight / Size | Type Flow Rate m3/h (Reference) Diameter and connection dimension (mm) Outline dimension (mm) Mounting Dimension (mm) Weight (kg) DN A B R r 4-M1 H1 H2 H3 F Φ G K W V Y Z 4-M2 SBL20 1-2 20 62 55 28 11 M10 360 77 45 110 98 222 206 100 70 75 35 M10 25 SBL25 2-4 25 30 SBL32A 4-7 32 75 70 35 15 M12 385 92 54 130 125 265 226 122 80 90 40 M12 47 SBL40 7-10 40 480 94 52 50 | Certificate | ABS, LR, BV, DNVGL, NK, KR, IRS, RMRS, CCS |
| Warranty | 12 Months unless specified otherwise | Origin | China |

| | | |
|-----------------|--|---|
| CONTENTS | <ul style="list-style-type: none"> ■ China SBL Semi-Automatic Cleaning Filter: ■ Technical data: | <ul style="list-style-type: none"> ■ Features: |
|-----------------|--|---|

China SBL Semi-Automatic Cleaning Filter:

Description:

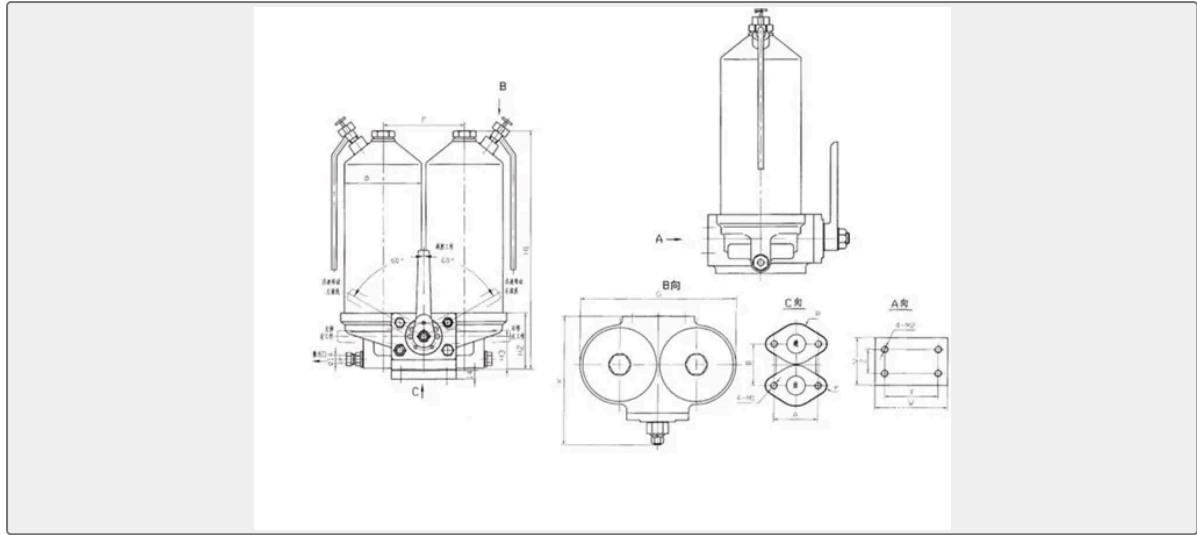
SBL semi-automatic cleaning filter is mainly used for fuel oil, lube oil and diesel oil which can filter insoluble oil contaminants to keep the oil clean.

Filter element type is candle type, the filtration efficiency is high and original pressure is small. It is easy and convenient to clean. The working pressure is 0.6-1.0 Mpa, working temperature \leq 150°C.

Features:

- 1.When the filter pressure drop is up to the required value we can just rotate the handle manually for several times. Then we can clean the filter without stopping it
- 2.Material of filter screen is 1Cr18Ni9Ti.

Technical data:



| Type | Flow Rate m3/h (Reference) | Diameter and connection dimension (mm) | | | | | | Outline dimension (mm) | | | | | | Mounting Dimension (mm) | | | | | Weight (kg) | |
|------------|----------------------------------|--|--------|--------|--------|--------|----------|---------------------------|--------|--------|---------|---------|---------|----------------------------|---------|--------|--------|--------|----------------|----------|
| | | D N | A | B | R | r | 4- M1 | H1 | H 2 | H 3 | F | Φ | G | K | W | V | Y | Z | | 4- M2 |
| SBL2 0 | 1-2 | 20 | 6 2 | 5 5 | 2 8 | 1 1 | M10 | 36 0 | 77 | 45 | 11 0 | 98 | 22 2 | 20 6 | 10 0 | 7 0 | 7 5 | 3 5 | M1 0 | 25 |
| SBL2 5 | 2-4 | 25 | | | | | | | | | | | | | | | | | | 30 |
| SBL3 2A | 4-7 | 32 | 7 5 | 7 0 | 3 5 | 1 5 | M12 | 38 5 | 92 | 54 | 13 0 | 12 5 | 26 5 | 22 6 | 12 2 | 8 0 | 9 0 | 4 0 | M1 2 | 47 |
| SBL4 0 | 7-10 | 40 | | | | | | 48 0 | 94 | 52 | | | | | | | | | | 50 |