

FILTER

SBL150 Model Semi-Auto Filter

SBL150 Model Semi-Auto Filter The filter model indicates as follow: SBL → Double-cylinder Semi-suto Filter 200 → Caliber 200mm SBL150 Model Semi-Auto Filter Structure Diagram SBL15...

- ISO9001 Supplier
- Class Certificate
- Export Supply

	<div style="background-color: #1a3d4d; color: white; padding: 5px;">Key Highlights</div> <table border="1" style="width: 100%; border-collapse: collapse; margin-top: 5px;"> <tr> <td style="width: 20%;">Category</td> <td>Filter</td> </tr> <tr> <td>Standard</td> <td>EN</td> </tr> <tr> <td>Weight / Size</td> <td>SBL → Double-cylinder Semi-suto Filter 200 → Caliber 200mm SBL150 Model Semi...</td> </tr> <tr> <td>Certificate</td> <td>ABS, LR, BV, DNVGL, NK, KR, IRS, RMRS, CCS</td> </tr> </table> <div style="margin-top: 10px; padding: 5px; border: 1px solid #ccc;"> <p>We can supply according to your requirement, drawings, class certificate needs, and delivery schedule.</p> </div>	Category	Filter	Standard	EN	Weight / Size	SBL → Double-cylinder Semi-suto Filter 200 → Caliber 200mm SBL150 Model Semi...	Certificate	ABS, LR, BV, DNVGL, NK, KR, IRS, RMRS, CCS
Category	Filter								
Standard	EN								
Weight / Size	SBL → Double-cylinder Semi-suto Filter 200 → Caliber 200mm SBL150 Model Semi...								
Certificate	ABS, LR, BV, DNVGL, NK, KR, IRS, RMRS, CCS								

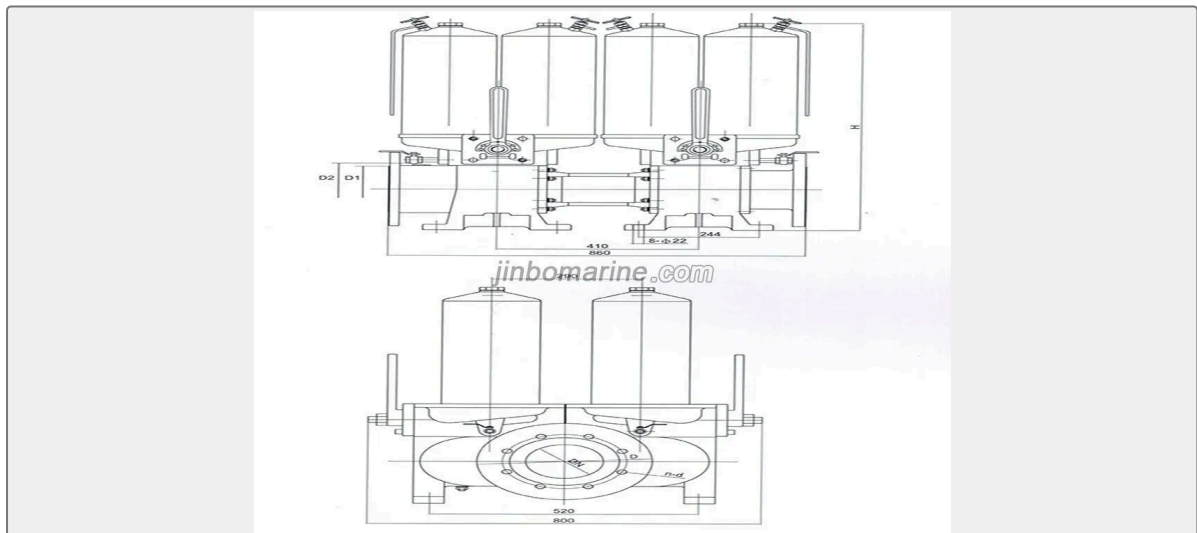
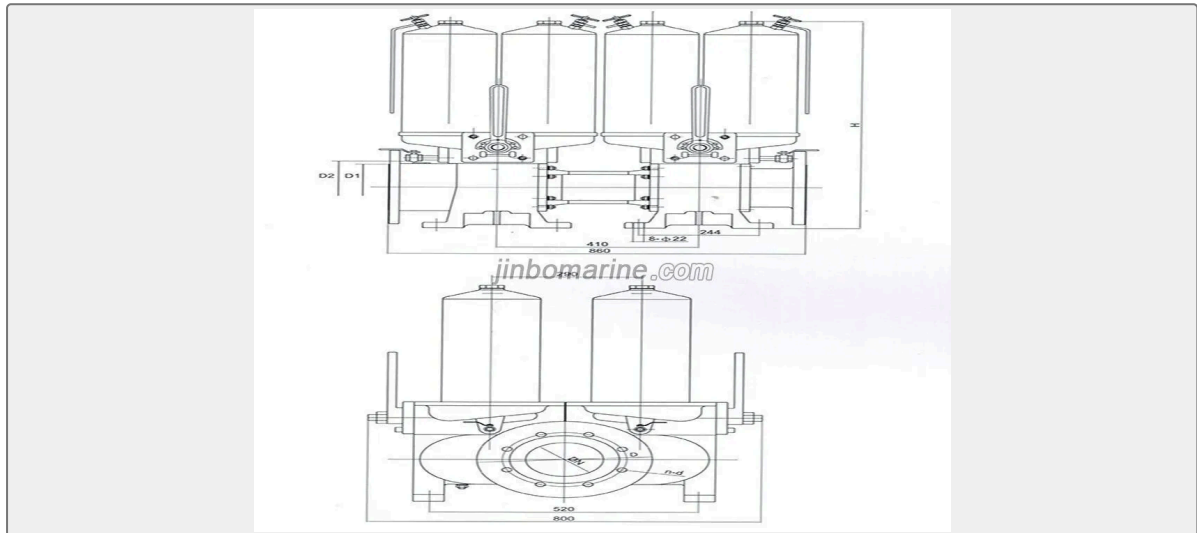
Technical Specifications			
Category	Filter	Model / SKU	SBL150-Model-Semi-Auto-Filter
Standard	EN	Weight / Size	SBL → Double-cylinder Semi-suto Filter 200 → Caliber 200mm SBL150 Model Semi-Auto Filter Structure Diagram SBL150 Model Semi-Auto Filter Technical Parameters Model Caliber DN Flow(reference) Filter Precision mesh/inch Work Temperature Work Pressure(MPa) H D D1 D2 n-d Weight (kg) SBL150 150 100-190 40-400 ≤85 ≤1 1060 285 240 212 8-22 680-1000 SBL200 200 110-300 40-400 ≤85 ≤1 1100 340 295 268 8-22 710-1100
Certificate	ABS, LR, BV, DNVGL, NK, KR, IRS, RMRS, CCS	Warranty	12 Months unless specified otherwise
Origin	China		

CONTENTS	■ SBL150 Model Semi-Auto Filter	■ SBL150 Model Semi-Auto Filter Structure Diagram
	■ SBL150 Model Semi-Auto Filter Technical Parameters	

SBL150 Model Semi-Auto Filter

The filter model indicates as follow:
 SBL → Double-cylinder Semi-suto Filter
 200 → Caliber 200mm

SBL150 Model Semi-Auto Filter Structure Diagram



SBL150 Model Semi-Auto Filter Technical Parameters

Model	Caliber DN	Flow(reference)	Filter Precision mesh/inch	Work Temperature	Work Pressure(MPa)	H	D	D1	D2	n-d	Weight (kg)

SBL150	150	100-190	40-400	≤85	≤1	1060	285	240	212	8-22	680-1000
SBL200	200	110-300	40-400	≤85	≤1	1100	340	295	268	8-22	710-1100