

FILTER

SBL25 Model Semi-Auto Filter

SBL25 Model Semi-Auto Filter It is used in oil pipeline of marine diesel engine and othe equipment. the introduced work pressure is 0.6-1Mpa, work temperature $\leq 85^{\circ}\text{C}$, it adopts fiber-gap method to separate the ...

- ISO9001 Supplier
- Class Certificate
- Export Supply

Key Highlights

Category	Filter
Standard	EN
Material	2.The filtering core material is 1cr18ni9ti,characteristica is reliable ...
Weight / Size	Model Flow(referencem ³ /h) Caliber and jointing size(mm) Overall size(mm)...
Certificate	ABS, LR, BV, DNVGL, NK, KR, IRS, RMRS, CCS
We can supply according to your requirement, drawings, class certificate needs, and delivery schedule.	

Technical Specifications			
Category	Filter	Model / SKU	SBL25-Model-Semi-Auto-Filter
Standard	EN	Material	2.The filtering core material is 1cr18ni9ti,characteristica is reliable and the precision is excellent.
Weight / Size	Model Flow(referencem ³ /h) Caliber and jointing size(mm) Overall size(mm) Installing size(mm) Weight(kg) DN K E R r 4-M1 H1 H2 H3 L φ N P V Y Z 4-M2 SBL20 1-2 20 60 50 20 12 10 248 64 37 95 85 193 184 53 80 35 10 8.5 SBL25 2-4 25 62 55 25 328 77 47 110 98 216 206 70 75 40 13.5 SBL32 4-7 32 75 70 35 15 12 385 90 57 130 125 264 226 120 80 90 12 23 SBL40 7 40 430 12 24	Certificate	ABS, LR, BV, DNVGL, NK, KR, IRS, RMRS, CCS
Warranty	12 Months unless specified otherwise	Origin	China

CONTENTS

- SBL25 Model Semi-Auto Filter
- SBL25 Model Semi-Auto Filter Structure Diagram
- SBL25 Model Semi-Auto Filter Technical Parameters:

SBL25 Model Semi-Auto Filter

It is used in oil pipeline of marine diesel engine and othe equipment. the introduced work pressure is 0.6-1Mpa, work temperature ≤85°C, it adopts fiber-gap method to separate the foreign in th oil, the filtering precision is 40-400mesh/inch chosen at will.

Characteristics

- 1.When the filtering pressure falls to the set one, no stoping the machine,no disassembling the filter,just turn the handle several times to carry out self-washing and auto bleed.
- 2.The filtering core material is 1cr18ni9ti,characteristica is reliable and the precision is excellent.
- 3.The filter can be installed up-down with four boltsc to connect to the outside.

Filter model indicating as follow :

SBL → Double-cylinder semi-auto filter

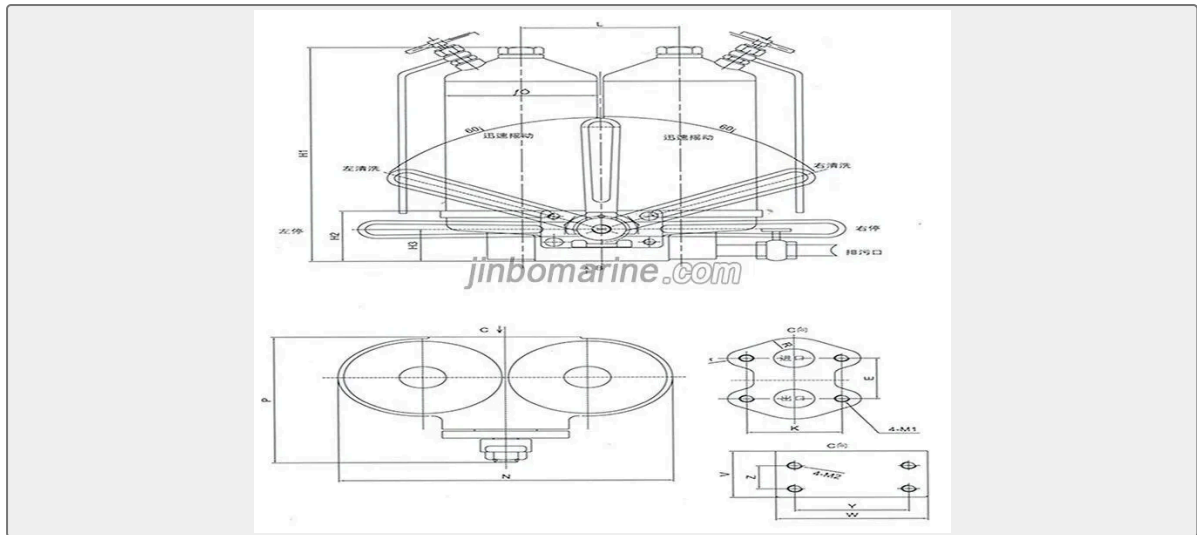
32 → Caliber 32mm

II T → WorKing temperature≤135°C

HB → Filtering heavy oil,with heating chamber

SBL25 Model Semi-Auto Filter Structure Diagram





SBL25 Model Semi-Auto Filter Technical Parameters:

Model	Flow(refer encem ³ /h)	Caliber and jointing size(mm)						Overall size(mm)							Installing size(mm)				Wei ght(kg)	
		D N	K	E	R	r	4- M1	H 1	H 2	H 3	L	φ	N	P	V	Y	Z	4- M 2		
SBL20	1-2	20	60	50	20	12	10	248	64	37	95	85	193	184	53	80	35	10	8.5	
SBL25	2-4	25	62	55	25			328	77	47	110	98	216	206	70	75	40	1	3.5	
SBL32	4-7	32	75	70	35	15	12	385	90	57	130	122	264	220	120	80		90	12	23
SBL40	7	40						430										12	24	