

FILTER

## SBL32 Model Semi-Auto Filter

SBL32 Model Semi-Auto Filter It is used in oil pipeline of marine diesel engine and othe equipment. the introduced work pressure is 0.6-1Mpa, work temperature  $\leq 85^{\circ}\text{C}$ , it adopts fiber-gap method to separate the ...

ISO9001 Supplier

Class Certificate

Export Supply

### Key Highlights

Category	Filter
Standard	EN
Material	2.The filtering core material is 1cr18ni9ti,characteristica is reliable ...
Weight / Size	Filter model indicating as follow : SBL → Double-cylinder semi-auto filter ...
Certificate	ABS, LR, BV, DNVGL, NK, KR, IRS, RMRS, CCS
We can supply according to your requirement, drawings, class certificate needs, and delivery schedule.	

Technical Specifications			
<b>Category</b>	Filter	<b>Model / SKU</b>	SBL32-Model-Semi-Auto-Filter
<b>Standard</b>	EN	<b>Material</b>	2.The filtering core material is 1cr18ni9ti,characteristica is reliable and the precision is excellent.
<b>Weight / Size</b>	Filter model indicating as follow : SBL → Double-cylinder semi-auto filter 32 → Caliber 32mm II T → WorKing temperature≤135°C HB → Filtering heavy oil,with heating chamber SBL32 Model Semi-Auto Filter Structure Diagram SBL32 Model Semi-Auto Filter Technical Parameters Model Flow(referencem <sup>3</sup> /h) Caliber and jointing size(mm) Overall size(mm) Installing size(mm) Weight(kg) DN K E R r 4-M1 H1 H2 H3 L φ N P V Y Z 4-M2 SBL20 1-2 20 60 50 20 12 10 248 64 37 95 85 193 184 53 80 35 10 8.5 SBL25 2-4 25 62 55 25 328 77 47 110 98 216 206 70 75 40 13.5 SBL32 4-7 32 75 70 35 15 12 385 90 57 130 125 264 226 120 80 90 12 23 SBL40 7 40 430 12 24	<b>Certificate</b>	ABS, LR, BV, DNVGL, NK, KR, IRS, RMRS, CCS
<b>Warranty</b>	12 Months unless specified otherwise	<b>Origin</b>	China

<b>CONTENTS</b>	■ SBL32 Model Semi-Auto Filter	■ SBL32 Model Semi-Auto Filter Structure Diagram
	■ SBL32 Model Semi-Auto Filter Technical Parameters	

## SBL32 Model Semi-Auto Filter

It is used in oil pepeline of marine diesel engine and othe equipment. the introduced work pressure is 0.6-1Mpa, work temperature ≤85°C, it adopts fiber-gap method to separate the foreign in th oil, the filtering precision is 40-400mesh/inch chosen at will.

Characteristics:

- 1.When the filtering pressure falls to the set one, no stopping the machine,no disassembling the filter,just turn the handle several times to carry out self-washing and auto bleed.
- 2.The filtering core material is 1cr18ni9ti,characteristica is reliable and the precision is excellent.
- 3.The filter can be installed up-down with four boltsc to connect to the outside.

Filter model indicating as follow :



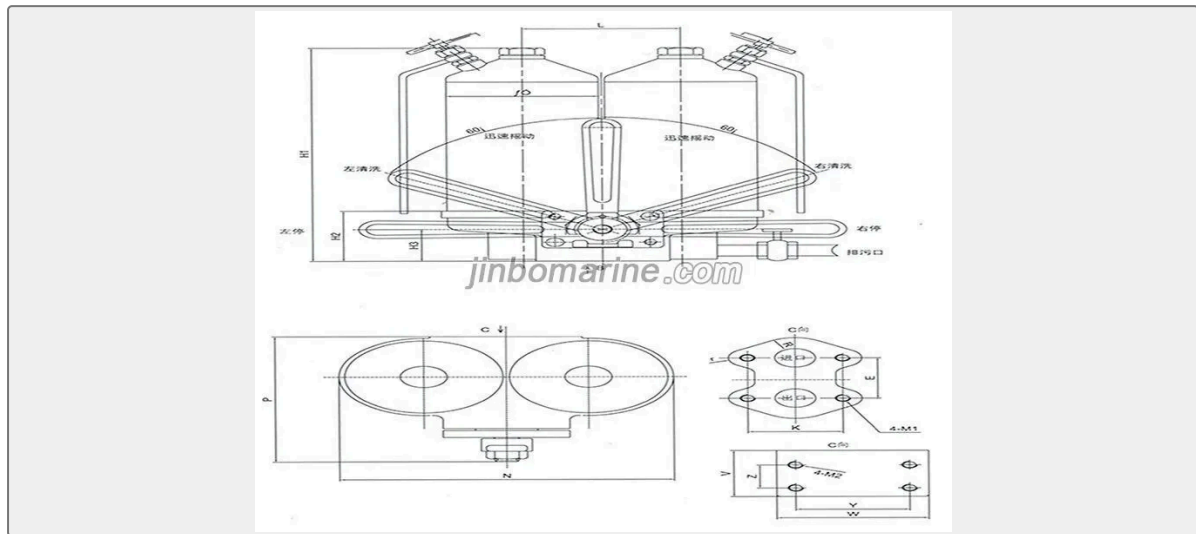
SBL → Double-cylinder semi-auto filter

32 → Caliber 32mm

II T → Working temperature ≤ 135°C

HB → Filtering heavy oil, with heating chamber

## SBL32 Model Semi-Auto Filter Structure Diagram



## SBL32 Model Semi-Auto Filter Technical Parameters

Model	Flow(refer encem <sup>3</sup> /h)	Caliber and jointing size(mm)						Overall size(mm)							Installing size(mm)				Wei ght(kg)	
		D N	K	E	R	r	4- M1	H 1	H 2	H 3	L	φ	N	P	V	Y	Z	4- M 2		
SBL20	1-2	20	6 0	5 0	20	1 2	10	24 8	6 4	3 7	9 5	8 5	19 3	1 8 4	5 3	8 0	3 5	10	8. 5	
SBL25	2-4	25	6 2	5 5	25			32 8	7 7	4 7	1 1 0	9 8	21 6	2 0 6	7 0	7 5	4 0		1 3. 5	
SBL32	4-7	32	7 5	7 0	35	1 5	12	38 5	9 0	5 7	1 3 0	1 2 5	26 4	2 2 6	1 2 0	8 0		90	1 2	23
SBL40	7	40						43 0											1 2	24