

Jinbo Marine

Marine & Offshore Equipment Datasheet

PRODUCT DATASHEET

FILTER

SBL50 Model Semi-Auto Filter

SBL50 Model Semi-Auto Filter It can be without stand A, with four bolts C connecting to the outside, the inlet and the outlet are in the bottom of the machine, the inlet is in the front and the outlet is at the ...

ISO9001 Supplier

Class Certificate

Export Supply



Key Highlights

Category	Filter
Standard	EN
Weight / Size	SBL50 Model Semi-Auto Filter Structure Diagram SBL50 Model Semi-Auto Fil...
Certificate	ABS, LR, BV, DNVGL, NK, KR, IRS, RMRS, CCS

We can supply according to your requirement, drawings, class certificate needs, and delivery schedule.

Technical Specifications			
Category	Filter	Model / SKU	SBL50-Model-Semi-Auto-Filter
Standard	EN	Weight / Size	SBL50 Model Semi-Auto Filter Structure Diagram SBL50 Model Semi-Auto Filter Technical Parameters Model Flow(reference ³ /h) Caliber and jointing size(mm) Overall size(mm) Installing size(mm) Weight(kg) DN E F M1 H1 H2 H3 H4 L φ N P G K 4-φ X W V Y Z 4-M2 SBL50 10-25 50 120 110 M12 595 209 142 86 165 155 330 320 258 136 4-φ22 16 150 115 110 78 4-φ12 67 SBL65 25-30 65 670 71 SBL80 SBL80 I 25-40 80 146 132 M16 740 247 172 102 200 190 400 384 334 244 26 200 145 160 100 4-M16 131 SBL80 II 35-50 840 140 SBL100A 40-80 100 162 152 M16 890 247 192 112 200 190 400 384 374 244 26 200 145 160 100 150
Certificate	ABS, LR, BV, DNVGL, NK, KR, IRS, RMRS, CCS	Warranty	12 Months unless specified otherwise
Origin	China		

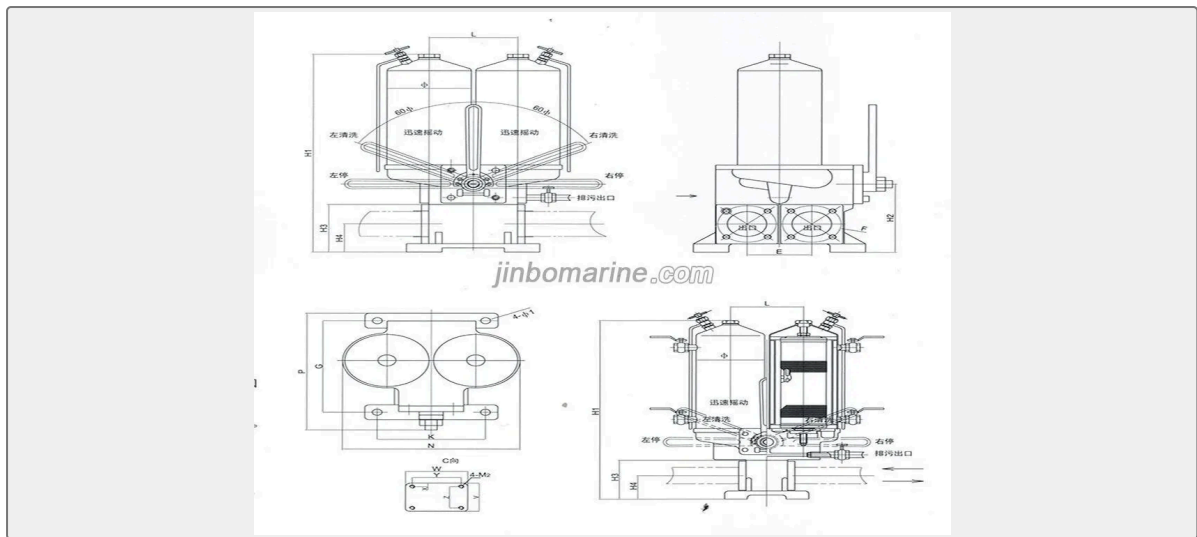
CONTENTS	<ul style="list-style-type: none"> ■ SBL50 Model Semi-Auto Filter ■ SBL50 Model Semi-Auto Filter Structure Diagram ■ SBL50 Model Semi-Auto Filter Technical Parameters
-----------------	---

SBL50 Model Semi-Auto Filter

It can be without stand A,with four bolts C connecting to the outside,the inlet and the outlet are in the bottom of the machine,the inlet is in the front and the outlet is at the back.

The two holes in the handle position near the stand are both inlets,the other two holes are outlets.While the inlets and outlets are installed,they are chosen at will,the other inles and outlets shoule be sealed with flange.

SBL50 Model Semi-Auto Filter Structure Diagram



SBL50 Model Semi-Auto Filter Technical Parameters

Model		Flow(reference³/h)	Caliber and jointing size(mm)				Overall size(mm)										Installing size(mm)						Weight(kg)	
			D	E	F	M	H	H	H	H	L	φ	N	P	G	K	4	X	W	V	Y	Z		4-M
			N			1	1	2	3	4							φ						2	
SBL50		10-25	50	120	110	M11	59	20	14	86	16	13	33	32	25	18	4φ	16	15	15	11	78	4φ12	67
SBL65		25-30	65				67										2φ						2	
SBL80	SBL80 I	25-40	80	146	132	M16	74	24	17	112	20	14	40	38	34	24	4φ	26	20	14	16	11	41	131
	SBL80 II	35-50					84																1	
SBL100A		40-80	100	162	152	M20	89	24	19	122	20	14	40	38	34	24	4φ	26	20	14	16	11	41	150