

Jinbo Marine

Marine & Offshore Equipment Datasheet

PRODUCT DATASHEET

SHACKLE

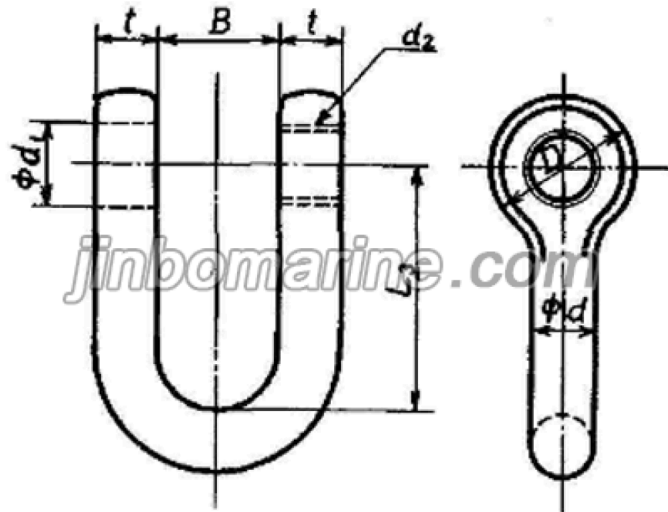
SD Type JIS B2801 Straight Shackle

SD Type JIS B2801 Straight Shackle Specification Nominal Size t d B D d1 L ...

ISO9001 Supplier

Class Certificate

Export Supply



Key Highlights

Category	Shackle
Standard	JIS
Weight / Size	SD Type JIS B2801 Straight Shackle Specification Nominal Size t d B D d1...
Certificate	ABS, LR, BV, DNVGL, NK, KR, IRS, RMRS, CCS

We can supply according to your requirement, drawings, class certificate needs, and delivery schedule.

Technical Specifications			
Category	Shackle	Model / SKU	SD-Type-JIS-B2801-Straight-Shackle
Standard	JIS	Weight / Size	SD Type JIS B2801 Straight Shackle Specification Nominal Size t d B D d1 L Weight(kgs) 10 10 10 20 23 13 40 0.57 12 12 12 24 28 16 48 0.66 14 14 14 28 32 18 56 1.75 16 16 16 32 36 21 67 1 20 20 20 40 44 25 80 1.58 22 22 22 44 50 28 88 1.74 24 24 24 48 56 30 96 1.89 26 26 26 52 62 33 104 2.37 28 28 28 56 65 35 112 3.1 30 30 30 60 70 37 120 34.19 34 34 34 68 80 43 135 6.3 38 38 38 76 85 46 152 8.44 40 40 40 80 92 49 160 9.65 42 42 42 84 100 53 168 11.26 48 48 48 96 110 60 192 16.69 52 52 52 104 120 64 208 20.15 58 58 58 116 132 70 232 25.27 JIS F B2801 Shackle Work Load Limit
Certificate	ABS, LR, BV, DNVGL, NK, KR, IRS, RMRS, CCS	Warranty	12 Months unless specified otherwise
Origin	China		

CONTENTS

- SD Type JIS B2801 Straight Shackle Specification

- JIS F B2801 Shackle Work Load Limit

SD Type JIS B2801 Straight Shackle Specification

Nominal Size	t	d	B	D	d1	L	Weight(kgs)
10	10	10	20	23	13	40	0.57
12	12	12	24	28	16	48	0.66
14	14	14	28	32	18	56	1.75
16	16	16	32	36	21	67	1
20	20	20	40	44	25	80	1.58
22	22	22	44	50	28	88	1.74
24	24	24	48	56	30	96	1.89
26	26	26	52	62	33	104	2.37
28	28	28	56	65	35	112	3.1

30	30	30	60	70	37	120	34.19
34	34	34	68	80	43	135	6.3
38	38	38	76	85	46	152	8.44
40	40	40	80	92	49	160	9.65
42	42	42	84	100	53	168	11.26
48	48	48	96	110	60	192	16.69
52	52	52	104	120	64	208	20.15
58	58	58	116	132	70	232	25.27

JIS F B2801 Shackle Work Load Limit

Table 2. Working load limit

Nominal size	Grade M								Grade S		Grade T		Grade V		Unit : t
	Bow shackle				Straight shackle				Bow shackle	Straight shackle	Bow shackle	Straight shackle	Bow shackle	Straight shackle	
	BA	BB	BC	BD	SA	SB	SC	SD	BB	SB	BB	SB	BB	SB	
6	—	—	0.2	0.15	—	—	—	0.2	—	—	—	—	—	—	—
8	—	—	0.315	0.215	—	—	—	0.315	—	—	—	—	—	—	—
10	—	—	(0.6)	0.5	—	—	(0.6)	0.4	0.8	0.8	1	1	1.25	1.25	—
12	—	—	1	(0.7)	—	—	1	0.63	1.6	1.6	2	2	2.5	2.5	—
14	—	—	1.25	(0.9)	—	—	1.25	0.8	2	2	2.5	2.5	3.15	3.15	—
16	—	—	1.6	(1.2)	—	—	1.6	1	2.5	2.5	3.15	3.15	4	4	—
18	—	—	2	(1.3)	—	—	2	—	3.15	3.15	4	4	5	5	—
20	—	—	2.5	2.5	1.8	—	2.5	2.5	1.6	4	4	5	5	6.3	6.3
22	—	—	3.15	3.15	—	—	3.15	2	5	5	5	5	6.3	6.3	—
24	—	—	(3.6)	(3.6)	—	—	(3.6)	(3.6)	2.5	6.3	6.3	—	—	8	8
26	—	—	4	4	—	—	4	4	3.15	—	—	—	—	8	8
28	—	—	(4.8)	(4.8)	—	—	(4.8)	(4.8)	(3.5)	8	8	10	10	12.5	12.5
30	—	—	5	5	—	—	5	5	4	—	—	—	—	—	—
32	—	—	6.3	6.3	—	—	6.3	6.3	6	—	—	—	—	16	16
34	(7)	(7)	(7)	(7)	—	—	(7)	(7)	5	—	—	—	—	—	—
36	8	8	—	—	—	—	8	8	—	12.5	12.5	16	16	20	20
38	(9)	(9)	(9)	(9)	—	—	(9)	(9)	6.3	—	—	—	—	—	—
40	10	10	10	10	—	—	10	10	(7)	16	16	20	20	25	25
42	(11)	(11)	—	—	—	—	(11)	(11)	—	—	—	—	—	—	—
44	12.5	12.5	—	—	—	—	12.5	12.5	—	20	20	25	25	31.5	31.5
46	(13)	(13)	—	—	—	—	(13)	(13)	—	—	—	—	—	—	—
48	14	14	—	—	—	—	14	14	10	—	—	—	—	—	—
50	16	16	—	—	—	—	16	16	—	25	25	31.5	31.5	40	40
52	—	—	—	—	—	—	—	—	12.5	—	—	—	—	—	—
55	18	18	—	—	—	—	18	18	—	—	—	—	—	—	—
58	—	—	—	—	—	—	—	—	16	—	—	—	—	—	—
60	20	20	—	—	—	—	20	20	—	31.5	31.5	40	40	50	50
65	25	25	—	—	—	—	25	25	—	40	40	50	50	63	63
70	31.5	31.5	—	—	—	—	31.5	31.5	—	50	50	63	63	80	80
75	(30)	(30)	—	—	—	—	(30)	(30)	—	—	—	—	—	—	—
80	40	40	—	—	—	—	40	40	—	63	63	80	80	100	100
85	45	45	—	—	—	—	45	45	—	—	—	—	—	—	—