

Jinbo Marine

Marine & Offshore Equipment Datasheet

PRODUCT DATASHEET

CKY MARINE PUBLIC ADDRESS SYSTEM

SG-4C3 EX Platform State Visual Indicator

ISO9001 Supplier

Class Certificate

Export Supply

SG-4C3 EX Platform State Visual Indicator 1)Chapter 2 of Part 4 of the"Steel Ship Classification Rules" of the China Classification Society; 2)Chapter 3,Part 5 of the "Classification Rule for Offshore Mobile Units...



Key Highlights

Category	CKY Marine Public Address System
Standard	GB
Material	SG-4C3 EX Platform State Visual Indicator 1)Chapter 2 of Part 4 of the"S...
Certificate	ABS, LR, BV, DNVGL, NK, KR, IRS, RMRS, CCS

We can supply according to your requirement, drawings, class certificate needs, and delivery schedule.

Technical Specifications

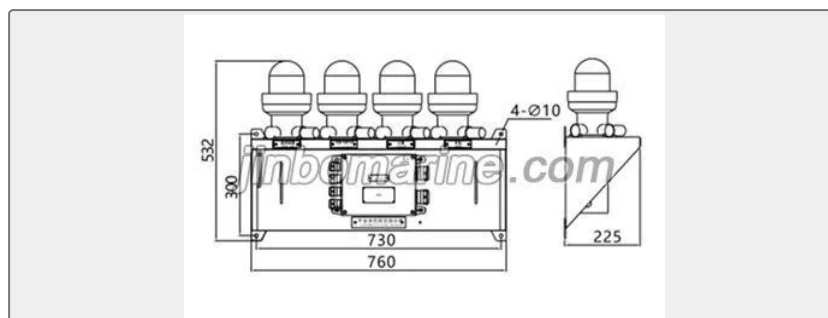
Category	CKY Marine Public Address System	Model / SKU	SG-4C3-EX-Platform-State-Visual-Indicator
Standard	GB	Material	SG-4C3 EX Platform State Visual Indicator 1)Chapter 2 of Part 4 of the"Steel Ship Classification Rules" of the China Classification Society;
Certificate	ABS, LR, BV, DNVGL, NK, KR, IRS, RMRS, CCS	Warranty	12 Months unless specified otherwise
Origin	China		

China SG-4C3 EX Platform State Visual Indicator:

SG-4C3 EX Platform State Visual Indicator



- 1)Chapter 2 of Part 4 of the"Steel Ship Classification Rules" of the China Classification Society;
- 2)Chapter 3,Part 5 of the "Classification Rule for Offshore Mobile Units"
- 3)Chapter, of International life-saving code,as amended by MSC.218(82);
- 4)IMO resolution A.1021 (26) code on alerts and indicators,2009.



Colour: White RAL7035

Cable gland: Stainless steel

Explosive-proof Grade: II2G Ex d IIC T6 Gb

Power supply: AC220V±10% or DC24V±10%

Shell material: Q235B

IP rating: IP56

Rated power: 4x30W