

# Jinbo Marine

Marine &amp; Offshore Equipment Datasheet

PRODUCT DATASHEET

## HSM WATERITIGHT DOOR INDICATION SYSTEM

# SG-6B/QTZ Alarm Sigen With Lamp

SG-6B/QTZ Alarm Sigen With Lamp 1)Chapter 2 of Part 4 of the "Steel Ship Classification Rules" of the China Classification Society; 2)IMO Resolution A.1021(26) Code on Alerts and Indicators, 2009 ...

ISO9001 Supplier

Class Certificate

Export Supply



### Key Highlights

Category	HSM Wateritight Door Indication System
Standard	EN
Material	SG-6B/QTZ Alarm Sigen With Lamp 1)Chapter 2 of Part 4 of the "Steel Ship...
Certificate	ABS, LR, BV, DNVGL, NK, KR, IRS, RMRS, CCS

We can supply according to your requirement, drawings, class certificate needs, and delivery schedule.

### Technical Specifications

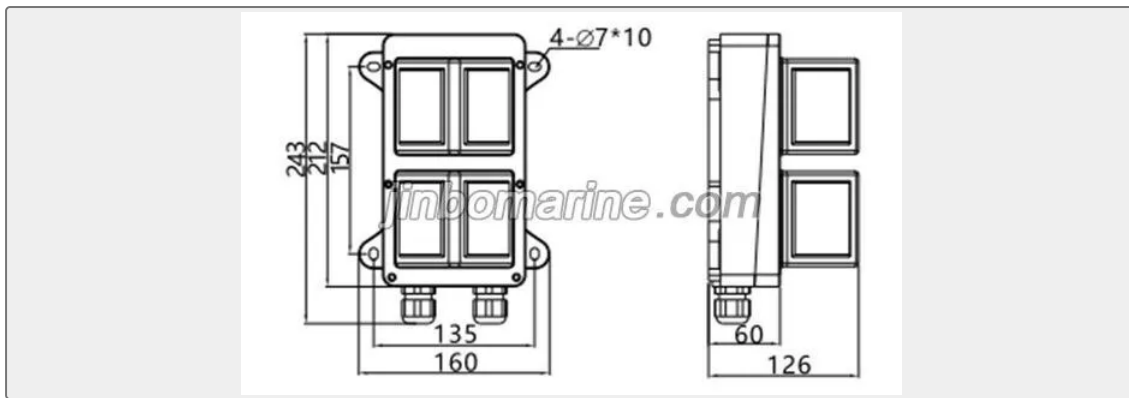
Category	HSM Wateritight Door Indication System	Model / SKU	SG-6B-QTZ-Alarm-Sigen-With-Lamp
Standard	EN	Material	SG-6B/QTZ Alarm Sigen With Lamp 1)Chapter 2 of Part 4 of the "Steel Ship Classification Rules" of the China Classification Society;
Certificate	ABS, LR, BV, DNVGL, NK, KR, IRS, RMRS, CCS	Warranty	12 Months unless specified otherwise
Origin	China		

## China SG-6B/QTZ Alarm Sigen With Lamp:

SG-6B/QTZ Alarm Sigen With Lamp

- 1)Chapter 2 of Part 4 of the "Steel Ship Classification Rules" of the China Classification Society;
- 2)IMO Resolution A.1021(26) Code on Alerts and Indicators, 2009





Colour: BG01

Power supply: DC24V

Shell material: ABS

Cable gland: 2xM20x1.5

IP rating: IP56

Rated power: 5W