

Jinbo Marine

Marine & Offshore Equipment Datasheet

PRODUCT DATASHEET

HOSPITAL CALLING ALARM SYSTEM

SG-7B/BYZ Marine Alarm

SG-7B/BYZ Marine Alarm 1)Chapter 2 of Part 4 of the"Steel Ship Classification Rules" of the China Classification Society: 2)IMO resolution A.1021 (26) code on alerts and indicators,2009.

...

- ISO9001 Supplier
- Class Certificate
- Export Supply



Key Highlights

Category	Hospital Calling Alarm System
Material	SG-7B/BYZ Marine Alarm 1)Chapter 2 of Part 4 of the"Steel Ship Classific...
Certificate	ABS, LR, BV, DNVGL, NK, KR, IRS, RMRS, CCS
We can supply according to your requirement, drawings, class certificate needs, and delivery schedule.	

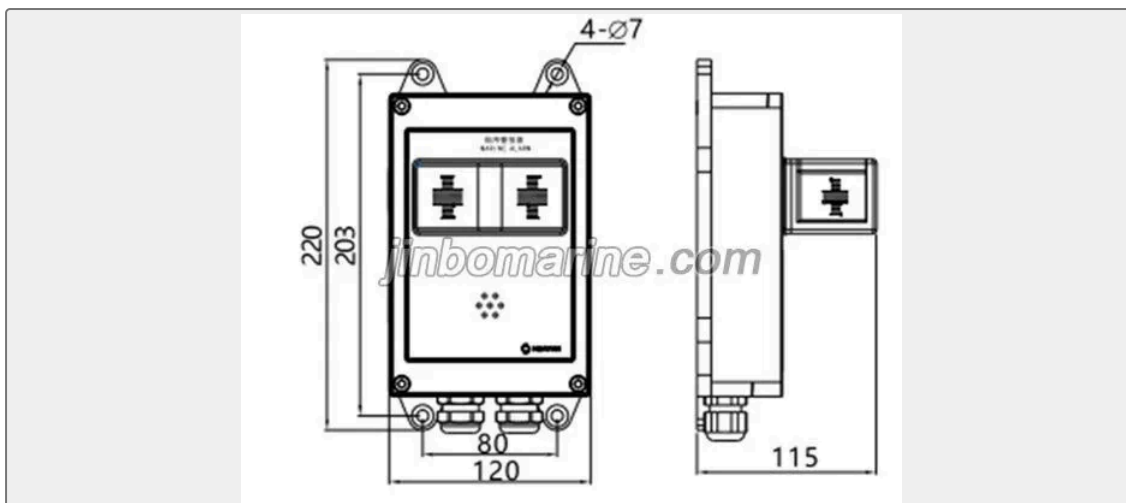
Technical Specifications			
Category	Hospital Calling Alarm System	Model / SKU	SG-7B-BYZ-Marine-Alarm
Material	SG-7B/BYZ Marine Alarm 1)Chapter 2 of Part 4 of the"Steel Ship Classification Rules" of the China Classification Society:	Certificate	ABS, LR, BV, DNVGL, NK, KR, IRS, RMRS, CCS
Warranty	12 Months unless specified otherwise	Origin	China

China SG-7B/BYZ Marine Alarm:

SG-7B/BYZ Marine Alarm

- 1)Chapter 2 of Part 4 of the"Steel Ship Classification Rules" of the China Classification Society:
- 2)IMO resolution A.1021 (26) code on alerts and indicators,2009.





Colour: Dull black

Shell material: ABS

Alarm sound pressure level: 85dB~95dB

IP rating: IP22

The cable connect to hospital calling main unit is 2 wires