

Jinbo Marine

Marine & Offshore Equipment Datasheet

PRODUCT DATASHEET

STERN TUBE SEAL

SM/SMB Water Lubricated Stern Shaft Sealing

ISO9001 Supplier

Class Certificate

Export Supply

Water Lubricated Stern Shaft Sealing Advantage 1. Suitable for kinds of vessel whose working medium is water. 2. When the axial vibration ≤ 1 mm, SM Type can be sued. 3. When the axial vibration ...



Key Highlights

Category	Stern Tube Seal
Standard	EN
Certificate	BV, ABS, CCS

We can supply according to your requirement, drawings, class certificate needs, and delivery schedule.

Technical Specifications

Category	Stern Tube Seal	Model / SKU	SM-SMB-Water-Lubricated-Stern-Shaft-Sealing
Standard	EN	Certificate	BV, ABS, CCS
Warranty	12 Months unless specified otherwise	Origin	China

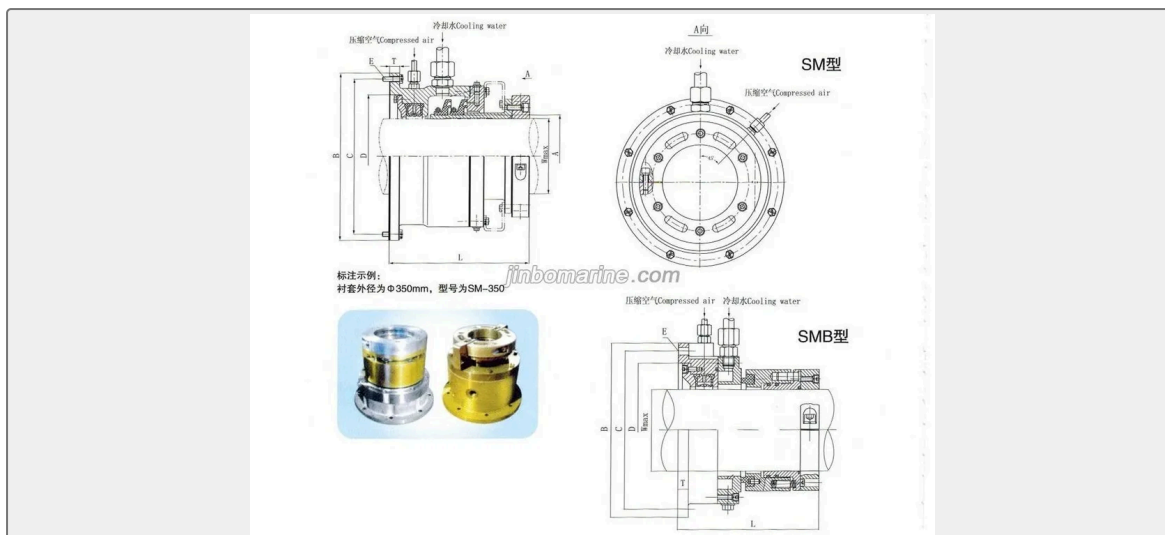
CONTENTS

- Water Lubricated Stern Shaft Sealing Advantage
- Technical Specification
- Stern Shaft Sealing Photo

Water Lubricated Stern Shaft Sealing Advantage

1. Suitable for kinds of vessel whose working medium is water.
2. When the axial vibration ≤ 1 mm, SM Type can be sued.
3. When the axial vibration $\leq \pm 3$ mm, and Speed is High SMB Type can be sued.

Technical Specification



S	7	9	1	1	1	1	1	2	2	2	2	2	3	3	3	3	3	4	4	4	4	5	5	5	5	6
p	0	0	0	0	0	0	0	0	0	0	0	0	0	0	0	0	0	0	0	0	0	0	0	0	0	0
e																										
c																										
i																										
f																										
a	7	9	1	1	1	1	1	2	2	2	2	2	3	3	3	3	3	4	4	4	4	5	5	5	5	6
t	0	0	0	0	0	0	0	0	0	0	0	0	0	0	0	0	0	0	0	0	0	0	0	0	0	0
i																										
o																										
n																										
A	7	9	1	1	1	1	1	2	2	2	2	2	3	3	3	3	3	4	4	4	4	5	5	5	5	6
	0	0	0	0	0	0	0	0	0	0	0	0	0	0	0	0	0	0	0	0	0	0	0	0	0	0
W	5	7	9	1	1	1	1	1	2	2	2	2	2	3	3	3	3	3	4	4	4	4	5	5	5	5
m	5	5	5	1	1	1	1	1	2	2	2	2	2	3	3	3	3	3	4	4	4	4	5	5	5	5
a				5	5	5	5	5	5	0	0	0	0	0	5	5	5	5	5	5	5	5	0	0	0	0
B	2	2	2	3	3	3	3	4	4	4	4	5	5	5	5	6	6	6	6	7	7	7	7	8	8	8
	5	6	8	0	3	7	8	2	4	6	8	3	4	4	9	2	4	7	9	1	3	7	9	1	3	6
	0	5	5	0	0	0	0	0	0	0	0	0	0	0	0	0	0	0	0	0	0	0	0	0	0	0
C	2	2	2	2	2	3	3	3	4	4	4	4	4	5	5	5	5	6	6	6	6	7	7	7	7	8
	2	4	6	6	8	3	4	8	0	2	4	7	9	0	5	7	9	1	3	7	9	1	4	6	8	1
	5	0	0	0	0	5	5	5	5	5	5	5	5	0	0	0	0	5	5	5	5	5	0	0	0	0
D	1	1	1	2	2	2	2	3	3	3	3	3	4	4	4	4	4	5	5	5	5	6	6	6	6	7
	6	8	9	1	3	5	4	0	2	4	6	8	0	2	4	6	8	1	3	5	7	1	4	6	8	1
	5	0	5	5	5	5	0	5	5	5	5	5	5	5	5	5	5	5	5	5	5	5	0	0	0	0
E	8	8	8	8	8	8	8	8	8	8	8	1	1	1	1	1	1	1	1	1	1	1	1	1	1	1
												2	2	2	2	2	2	2	2	2	2	2	2	2	2	2
	M	M	M	M	M	M	M	M	M	M	M	M	M	M	M	M	M	M	M	M	M	M	M	M	M	M
	1	1	1	1	1	1	1	1	1	1	1	1	1	1	1	1	1	1	1	1	1	1	1	1	1	1
	0	0	0	0	2	2	2	6	6	6	6	6	0	6	0	0	0	0	0	0	0	0	0	0	0	0
F	2	2	2	2	2	2	3	2	2	2	2	2	2	2	2	2	2	2	2	2	2	2	2	2	2	2
	0	0	0	0	0	5	0	5	5	5	5	5	5	5	5	5	5	5	5	5	5	5	5	5	5	5

Stern Shaft Sealing Photo

