

# Jinbo Marine

Marine & Offshore Equipment Datasheet

PRODUCT DATASHEET

## STERN TUBE SEAL

# SMA-II OR SMA-IIB OR SMC Water Lubricated End Face Sealing

ISO9001 Supplier

Class Certificate

Export Supply

Product Advantage 1. Suitable for kinds of vessel that have a large stern shaft diameter and axial vibration and whose lubricating medium is water. 2. SMA-II Water Lubricated End Face Sealing 3. SMA-IIB...



### Key Highlights

Category	Stern Tube Seal
Standard	EN
Weight / Size	Product Technical Size 70 90 110 130 150 170 190 210 230 250 270 290 31...
Certificate	BV, ABS, CCS

We can supply according to your requirement, drawings, class certificate needs, and delivery schedule.

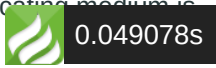


Technical Specifications			
<b>Category</b>	Stern Tube Seal	<b>Model / SKU</b>	SMA-II-OR-SMA-IIB-OR-SMC-Water-Lubricated-End-Face-Sealing
<b>Standard</b>	EN	<b>Weight / Size</b>	Product Technical Size 70 90 110 130 150 170 190 210 230 250 270 290 310 330 350 370 390 410 430 450 470 490 510 530 550 570 Dimensions(mm) A 70 90 110 130 150 170 190 210 230 250 270 290 310 330 350 370 390 410 430 450 470 490 510 530 550 570 Wmax 55 75 95 115 135 155 175 195 215 230 250 270 290 310 325 345 365 385 405 425 445 465 485 500 520 540 B 250 265 285 300 330 370 380 420 440 460 480 530 540 570 590 620 640 670 690 710 730 750 770 790 810 830 C 225 240 260 260 280 330 345 385 405 425 445 475 495 500 550 570 590 615 635 655 675 695 715 740 760 780 D 165 180 195 215 235 255 240 305 325 345 365 385 405 425 445 465 485 515 535 555 575 595 615 640 660 680 L 290 290 290 290 290 290 290 320 320 320 320 320 320 320 320 320 320 345 345 345 345 345 350 E 8 8 8 8 8 8 8 8 8 8 8 12 M10 M10 M10 M12 M12 M12 M16 M16 M16 M16 M16 M20 M16 M20 M20 M20 M20 M20 M20 M20 M20 M20 M20 M20 M20 M20 M20 M20 M20 M20 T 20 20 20 20 20 25 30 25 25 25 25 25 25 25 25 25 30 30 30 30 30 30 30 30 30 30 The product size can be supplied as per client request.
<b>Certificate</b>	BV, ABS, CCS	<b>Warranty</b>	12 Months unless specified otherwise
<b>Origin</b>	China		

<b>CONTENTS</b>	<input checked="" type="checkbox"/> Product Advantage <input type="checkbox"/> Product Technical
-----------------	--

## Product Advantage

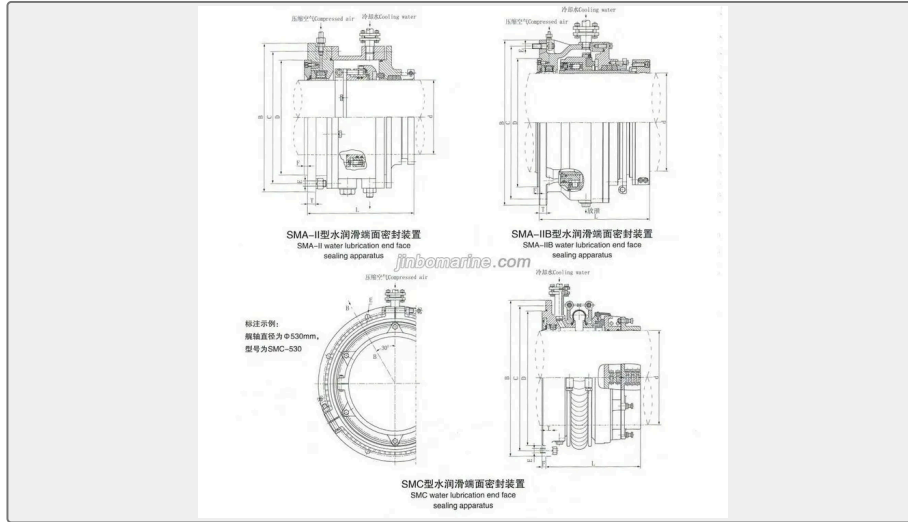
1. Suitable for kinds of vessel that have a large stern shaft diameter and axial vibration and whose lubricating medium is water.



- 2. SMA-II Water Lubricated End Face Sealing
- 3. SMA-IIB Water Lubricated End Face Sealing
- 4. SMC Water Lubricated End Face Sealing

SMA-II and SMA-IIB are round spring compensation, SMC is  $\Omega$  Spring compensation.

## Product Technical



Size	7 0	9 0	1 1 0	1 3 0	1 5 0	1 7 0	1 9 0	2 1 0	2 3 0	2 5 0	2 7 0	2 9 0	3 1 0	3 3 0	3 5 0	3 7 0	3 9 0	4 1 0	4 3 0	4 5 0	4 7 0	4 9 0	5 1 0	5 3 0	5 5 0	5 7 0
------	--------	--------	-------------	-------------	-------------	-------------	-------------	-------------	-------------	-------------	-------------	-------------	-------------	-------------	-------------	-------------	-------------	-------------	-------------	-------------	-------------	-------------	-------------	-------------	-------------	-------------

D i m e n s i o n s ( m m )	A	7 0	9 0	1 1 0	1 3 0	1 5 0	1 7 0	1 9 0	2 1 0	2 3 0	2 5 0	2 7 0	2 9 0	3 1 0	3 3 0	3 5 0	3 7 0	3 9 0	4 1 0	4 3 0	4 5 0	4 7 0	4 9 0	5 1 0	5 3 0	5 5 0	5 7 0		
	W m a x	5 5	7 5	9 5	1 5	1 5	1 5	1 5	1 5	2 5	2 5	2 5	2 5	2 5	3 5	3 5	3 5	3 5	3 5	4 5	4 5	4 5	4 5	4 5	5 5	5 5	5 5	5 5	
	B	2 5 0	2 6 5	2 8 5	3 0	3 3 0	3 7 0	3 8 0	4 2 0	4 4 0	4 6 0	4 8 0	5 3 0	5 4 0	5 5 0	5 7 0	6 2 0	6 4 0	6 6 0	6 7 0	7 9 0	7 1 0	7 3 0	7 5 0	7 7 0	7 9 0	8 1 0	8 3 0	
	C	2 2 5	2 4 0	2 6 0	2 6 0	2 8 0	3 3 0	3 4 5	3 8 5	4 0 5	4 2 5	4 4 5	4 4 5	4 7 5	4 9 5	5 0 0	5 5 0	5 7 0	5 9 0	6 1 5	6 3 5	6 5 5	6 7 5	6 9 5	7 1 5	7 4 0	7 6 0	7 7 0	
	D	1 6 5	1 8 0	1 9 5	2 1 5	2 3 5	2 5 5	2 4 0	3 0 5	3 2 5	3 3 5	3 4 5	3 6 5	3 8 5	4 0 5	4 2 5	4 4 5	4 6 5	4 8 5	5 1 5	5 3 5	5 5 5	5 7 5	5 9 5	6 1 5	6 4 0	6 6 0	6 8 0	
	L	2 9 0	2 9 0	2 9 0	2 9 0	2 9 0	2 9 0	3 2 0	3 2 0	3 2 0	3 2 0	3 2 0	3 2 0	3 2 0	3 2 0	3 2 0	3 2 0	3 2 0	3 2 0	3 2 0	3 2 0	3 2 0	3 2 0	3 2 0	3 2 0	3 2 0	3 2 0	3 2 0	3 2 0
	E	8	8	8	8	8	8	8	8	8	8	8	1 2	1 2	1 2	1 2	1 2	1 2	1 2	1 2	1 2	1 2	1 2	1 2	1 2	1 2	1 2	1 2	
		M	M	M	M	M	M	M	M	M	M	M	M	M	M	M	M	M	M	M	M	M	M	M	M	M	M	M	M
	T	2 0	2 0	2 0	2 0	2 0	2 5	3 0	2 5	2 5	2 5	2 5	2 5	2 5	2 5	2 5	2 5	2 5	2 5	3 0	3 0	3 0	3 0	3 0	3 0	3 0	3 0	3 0	

The product size can be supplied as per client request. Our size is for reference.

