

OTHER MARINE PUMP

SP304 Series-Special Electric Pump For Hydraulic Wrench

ISO9001 Supplier

Class Certificate

Export Supply

SP304 Series-Special Electric Pump For Hydraulic Wrench Product features: Efficient three-stage flow pressure design, perfect simulation of manual operation, fast light load and slow heavy loa...



Key Highlights

Category	Other Marine Pump
Standard	EN
Weight / Size	Model OutputPort PowerParameter (MPa)Working Pressure L/min)Fl...
Certificate	ABS, LR, BV, DNVGL, NK, KR, IRS, RMRS, CCS

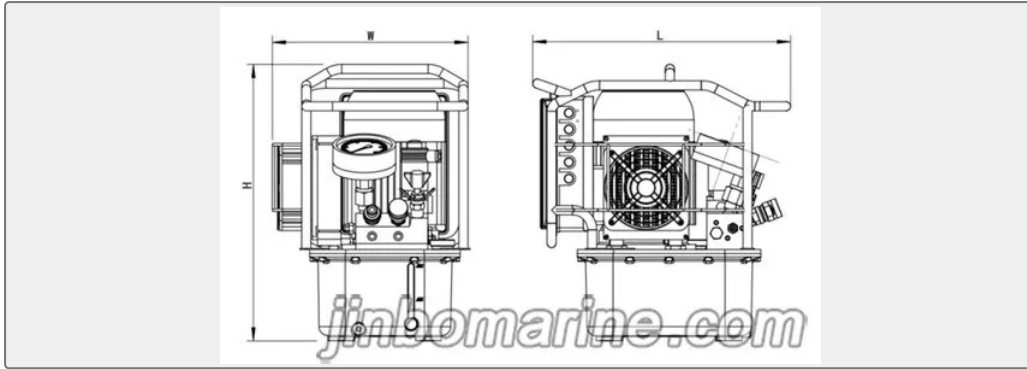
We can supply according to your requirement, drawings, class certificate needs, and delivery schedule.

Technical Specifications

Category	Other Marine Pump	Model / SKU	SP304-Series-Special-Electric-Pump-For-Hydraulic-Wrench
Standard	EN	Weight / Size	Model OutputPort PowerParameter (MPa)Working Pressure L/min)Flow TankVolume(L) Outer Size(LXWXH)(mm) ReferenceWeight(KG) High Medium Low High Medium Low SP304-2 4 220V/1.1KW 70 32 6 0.8 1.6 8 7.6 394x300x420 26 SP304-4 8 220V/1.1KW 70 32 6 0.8 1.6 8 7.6 394x300x420 26
Certificate	ABS, LR, BV, DNVGL, NK, KR, IRS, RMRS, CCS	Warranty	12 Months unless specified otherwise
Origin	China		

China SP304 Series-Special Electric Pump For Hydraulic Wrench:

SP304 Series-Special Electric Pump For Hydraulic Wrench



Product features:

Efficient three-stage flow pressure design, perfect simulation of manual operation, fast light load and slow heavy load, bolt pre-tightening more accurate.

The standard configuration also drives two hydraulic wrenches at the same time(another hydraulic wrenches can be configured at the same time)

Aluminum titanium alloy pump body,small quality, portability.

Adjust output pressure freely in the range of 40 to 700bar.

Brushless high-power motor,easy maintenance, long life, motor with starting capacitor can start with load, more concise operation.

Model	Output Port	Power Parameter	(MPa) Working Pressure			L/min) Flow			Tank Volume (L)	Outer Size (LXWX H) (mm)	Reference Weight (KG)
			High	Medium	Low	High	Medium	Low			
SP304-2	4	220V/1.1KW	70	32	6	0.8	1.6	8	7.6	394x300x420	26
SP304-4	8	220V/1.1KW	70	32	6	0.8	1.6	8	7.6	394x300x420	26