

# Jinbo Marine

Marine & Offshore Equipment Datasheet

PRODUCT DATASHEET

## FILTER

# SPL200 Model Double-cylinder Mesh Type Filter

ISO9001 Supplier

Class Certificate

Export Supply

SPL200 Model Double-cylinder Mesh Type Filter Mesh type oil filter is used in filtering fuel and lubricating oil of diesel engine SPL200 Model Double-cylinder Mesh Type Filter Drawing SPL200 Mode...



### Key Highlights

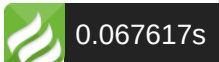
Category	Filter
Standard	EN
Weight / Size	SPL200 Model Double-cylinder Mesh Type Filter Mesh type oil filter is us...
Certificate	ABS, LR, BV, DNVGL, NK, KR, IRS, RMRS, CCS

We can supply according to your requirement, drawings, class certificate needs, and delivery schedule.



**Technical Specifications**

Category	Filter	Model / SKU	SPL200-Model-Double-cylinder-Mesh-Type-Filter
Standard	EN	Weight / Size	<p>SPL200 Model Double-cylinder Mesh Type Filter Mesh type oil filter is used in filtering fuel and lubricating oil of diesel engine</p> <p>SPL200 Model Double-cylinder Mesh Type Filter Drawing SPL200 Model Double-cylinder Mesh Type Filter Technical Parametes Model Flow Caliber and jointing size(mm) Pipeline installing size(mm) installing size(mm) Weight(kg) Dg</p> <p>D D1 n-a H B L H h1 H2 B1 C L3 L1 L2 b R SPL25 5 25 340 232 230 65 198 293 185 385 90 156 100 12 15 14 207 260 65 143 293 175 380 90 230 100 12 15 14</p> <p>SPL32 8 32 60x60 44x44 4-Φ9 380 232 230 65 263 333 185 450 90 170 100 12 15 14 207 260 65 183 333 175 450 90 230 100 12 15 14</p> <p>SPL40 12 40 70x70 46x46 4-Φ9 462 261 314 70 138 368 224 110 274 130 15 20 30</p> <p>SPL50 20 50 86x86 64x64 4-Φ11 535 405 410 90 190 395 335 140 260 210 18 25 75 380 410 90 190 385 335 140 350 130 18 25 75</p> <p>SPL65 30 65 100x100 75x75 4-Φ11 650 430 460 105 255 500 360 160 260 210 18 25 105 400 460 105 255 490 360 160 350 130 18 25 105</p> <p>SPL80 50 80 116x116 92x92 4-Φ13.5 755 535 492 124 640 450 433 190 350 270 20 25 165</p> <p>SPL100 80 100 220 180 4-Φ17.5 800 840 560 200 640 681 338 300 500 330 20 32 310</p> <p>SPL120 120 125 250 210 4-Φ17.5 850 920 600 220 720 725 385 300 540 370 20 32 440</p> <p>SPL180 180 150 285 240 4-Φ22 890 1000 990 250 760 825 380 400 750 460 30 32 720</p> <p>SPL200 320 200 340 295 4-Φ22 1065 1170 1180 315 910 960 450 400 920 520 30 40 1200</p>



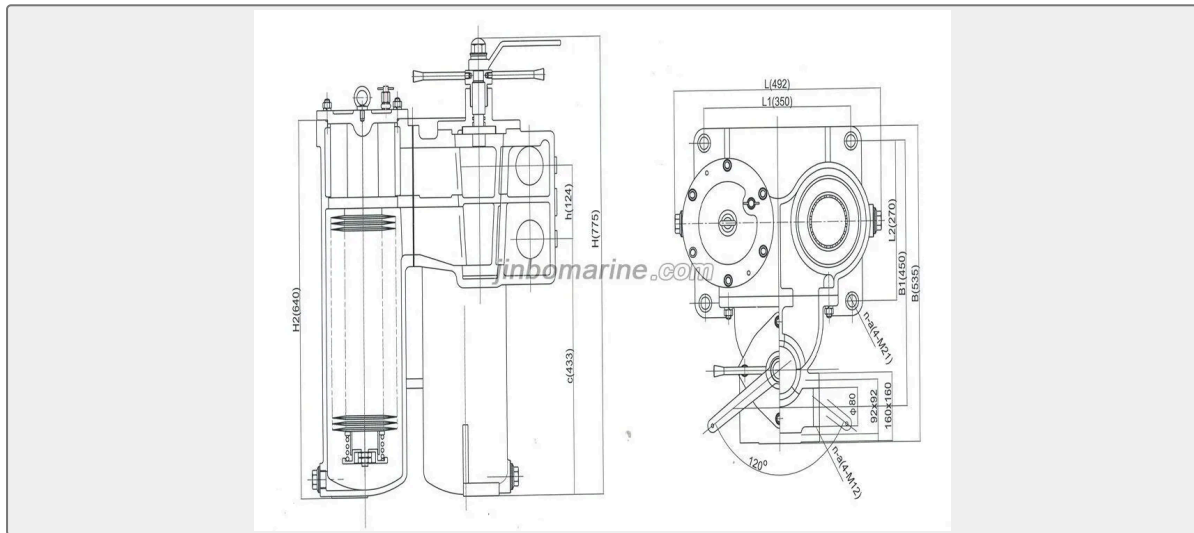
<b>Certificate</b>	ABS, LR, BV, DNVGL, NK, KR, IRS, RMRS, CCS	<b>Warranty</b>	12 Months unless specified otherwise
<b>Origin</b>	China		

<b>CONTENTS</b>	■ SPL200 Model Double-cylinder Mesh Type Filter	■ SPL200 Model Double-cylinder Mesh Type Filter Drawing
	■ SPL200 Model Double-cylinder Mesh Type Filter Technical Parametes	

## SPL200 Model Double-cylinder Mesh Type Filter

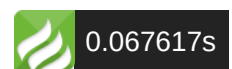
Mesh type oil filter is used in filtering fuel and lubricating oil of diesel engine

## SPL200 Model Double-cylinder Mesh Type Filter Drawing



## SPL200 Model Double-cylinder Mesh Type Filter Technical Parametes

Model	Flow	Caliber and jointing size(mm)				Pipeline installing size(mm)				installing size(mm)								Weight (kg)
		Dg	D	D1	n-a	H	B	L	H	h1	H2	B1	C	L3	L1	L2	b	
SPL25	5	25	340	232	230	65	198	293	185	385	90	156	100	125	154	104		
				207	260					65	143	293	175	380	90	230	100	125



SPL32	8	3 2	60 x6 0	44 x4 4	4- Φ9	38 0	23	23	65	2	3	1	4	9	1	1	1	15	14
							2	0		6	3	8	5	0	7	0	0	2	0
							20	26	65	1	3	1	4	9	2	1	1	15	14
							7	0		8	3	7	5	0	3	0	0	2	2
										3	3	5	0		0	0			
SPL40	12	4 0	70 x7 0	46 x4 6	4- Φ9	46 2	26 1	31 4	70	1 3 8	3 6 8	2 2 4	11 0	2 7 4	1 3 0	1 5 0	2 0	30	
SPL50	20	5 0	86 x8 6	64 x6 4	4- Φ1 1	53 5	40	41	90	1	3	3	1	2	2	1	2	75	
							5	0		9	9	3	4	6	1	8	5		
							38	41	90	1	3	3	1	3	1	1	2	75	
							0	0		9	8	3	4	5	3	8	5		
										0	5	5	0	0	0	0			
SPL65	30	6 5	10 x 10 0	75 x7 5	4- Φ1 1	65 0	43	46	10	2	5	3	1	2	2	1	2	10	
							0	0		5	5	0	6	6	6	1	8	5	
							40	46	10	2	4	3	1	3	1	1	2	10	
							0	0	5	5	9	6	6	5	3	8	5	5	
										5	0	0	0	0	0	0			
SPL80	50	8 0	11 6x 11 6	92 x9 2	4- Φ1 3.5	75 5	53 5	49 2	12 4	6 4 0	4 5 0	4 3 3	1 9 0	3 5 0	2 7 0	2 0	2 5	16 5	
SPL100	80	1 0 0	22 0	18 0	4- Φ1 7.5	80 0	84 0	56 0	20 0	6 4 0	6 8 1	3 3 8	3 0 0	5 0 0	3 3 0	2 0 0	3 2	31 0	
SPL120	120	1 2 5	25 0	21 0	4- Φ1 7.5	85 0	92 0	60 0	22 0	7 2 0	7 2 5	3 8 5	3 0 0	5 4 0	3 7 0	2 0	3 2	44 0	
SPL180	180	1 5 0	28 5	24 0	4- Φ2 2	89 0	10 00	99 0	25 0	7 6 0	8 2 5	3 8 0	4 0 0	7 5 0	4 6 0	3 0	3 2	72 0	
SPL200	320	2 0 0	34 0	29 5	4- Φ2 2	10 65	11 70	11 80	31 5	9 1 0	9 6 0	4 5 0	4 0 0	9 2 0	5 2 0	3 0	4 0	12 00	