

Jinbo Marine

Marine & Offshore Equipment Datasheet

PRODUCT DATASHEET

FILTER

SPL25 Model Double-cylinder Mesh Type Filter

ISO9001 Supplier

Class Certificate

Export Supply

SPL25 Model Double-cylinder Mesh Type Filter Mesh type oil filter is used in filtering fuel and lubricating oil of diesel engine. SPL25 Model Double-cylinder Mesh Type Filter Drawing ...



Key Highlights

Category	Filter
Standard	EN
Weight / Size	SPL25 Model Double-cylinder Mesh Type Filter Drawing SPL25 Model Double-...
Certificate	ABS, LR, BV, DNVGL, NK, KR, IRS, RMRS, CCS

We can supply according to your requirement, drawings, class certificate needs, and delivery schedule.



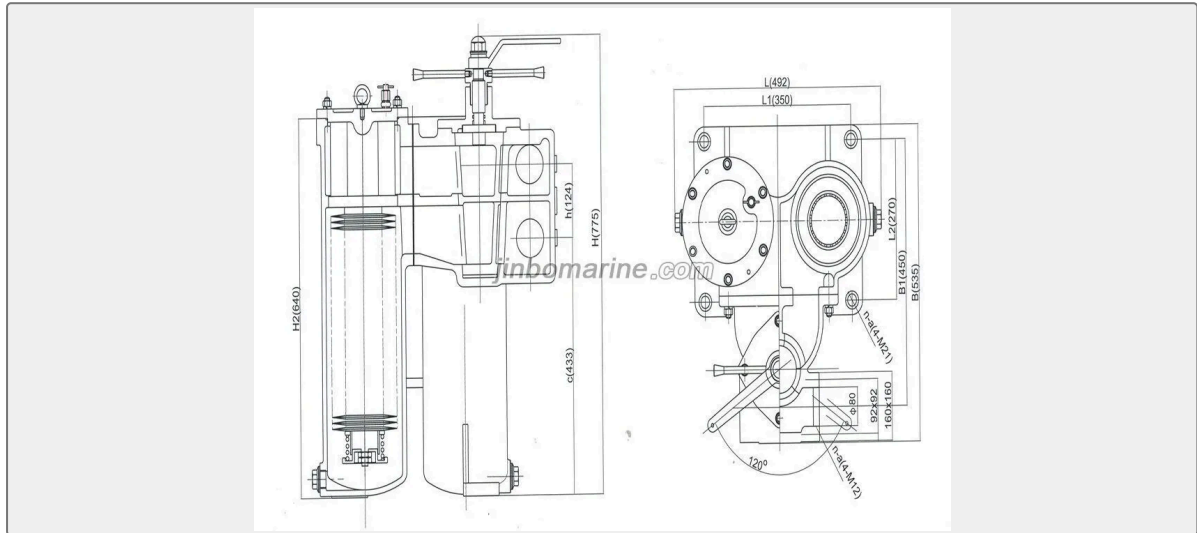
Technical Specifications			
Category	Filter	Model / SKU	SPL25-Model-Double-cylinder-Mesh-Type-Filter
Standard	EN	Weight / Size	SPL25 Model Double-cylinder Mesh Type Filter Drawing SPL25 Model Double-cylinder Mesh Type Filter Technical Parameters Model Flow Caliber and jointing size(mm) Pipeline installing size(mm) installing size(mm) Weight(kg) Dg D D1 n-a H B L H h1 H2 B1 C L3 L1 L2 b R SPL25 5 25 340 232 230 65 198 293 185 385 90 156 100 12 15 14 207 260 65 143 293 175 380 90 230 100 12 15 14 SPL32 8 32 60x60 44x44 4-Φ9 380 232 230 65 263 333 185 450 90 170 100 12 15 14 207 260 65 183 333 175 450 90 230 100 12 15 14 SPL40 12 40 70x70 46x46 4-Φ9 462 261 314 70 138 368 224 110 274 130 15 20 30 SPL50 20 50 86x86 64x64 4-Φ11 535 405 410 90 190 395 335 140 260 210 18 25 75 380 410 90 190 385 335 140 350 130 18 25 75 SPL65 30 65 100x100 75x75 4-Φ11 650 430 460 105 255 500 360 160 260 210 18 25 105 400 460 105 255 490 360 160 350 130 18 25 105 SPL80 50 80 116x116 92x92 4-Φ13.5 755 535 492 124 640 450 433 190 350 270 20 25 165 SPL100 80 100 220 180 4-Φ17.5 800 840 560 200 640 681 338 300 500 330 20 32 310 SPL120 120 125 250 210 4-Φ17.5 850 920 600 220 720 725 385 300 540 370 20 32 440 SPL180 180 150 285 240 4-Φ22 890 1000 990 250 760 825 380 400 750 460 30 32 720 SPL200 320 200 340 295 4-Φ22 1065 1170 1180 315 910 960 450 400 920 520 30 40 1200
Certificate	ABS, LR, BV, DNVGL, NK, KR, IRS, RMRS, CCS	Warranty	12 Months unless specified otherwise
Origin	China		

CONTENTS	■ SPL25 Model Double-cylinder Mesh Type Filter	■ SPL25 Model Double-cylinder Mesh Type Filter Drawing
	■ SPL25 Model Double-cylinder Mesh Type Filter Technical Parameters	

SPL25 Model Double-cylinder Mesh Type Filter

Mesh type oil filter is used in filtering fuel and lubricating oil of diesel engine.

SPL25 Model Double-cylinder Mesh Type Filter Drawing



SPL25 Model Double-cylinder Mesh Type Filter Technical Parameters

Model	Flow	Caliber and jointing size(mm)				Pipeline installing size(mm)				installing size(mm)								Weight (kg)	
		D g	D	D 1	n-a	H	B	L	H	h 1	H 2	B 1	C	L 3	L 1	L 2	b		R
SPL25	5	25	340	23	23	65	19	29	18	3	9	1	1	1	1	1			
				2	0							5	8						
				20	26	65	14	29	17	3	9	2	1	1	1	1			
SPL32	8	32	60x60	44	4-Φ9	38	23	23	65	2	3	1	4	9	1	1	1	15	14
				4						3	8	5	0						
				20	26	65	1	3	1	3	1	4	9	2	1	1	1	15	14
SPL40	12	40	70x70	46	4-Φ9	46	26	31	70	1	3	2	11	2	1	1	2	30	
				4						3	6	2	0						
				46		46	1	4	4	8	8	4	4	4	0				



SPL50	20	50	86x86	64x64	4- Φ 11	535	405	410	90	190	395	335	140	260	210	185	25	75
							380	410	90	190	395	335	140	260	210	185	25	75
SPL65	30	65	100x100	75x75	4- Φ 11	650	430	460	105	255	500	360	1660	2660	2100	1850	255	105
							400	460	105	255	500	360	1660	2660	2100	1850	255	105
SPL80	50	80	116x116	92x92	4- Φ 13.5	755	535	492	124	640	453	443	1990	3570	2700	2250	255	165
SPL100	80	100	220	180	4- Φ 17.5	800	840	560	200	640	681	3380	3300	5000	3300	2300	320	310
SPL120	120	125	250	210	4- Φ 17.5	850	920	600	220	720	755	3880	3300	5400	3700	2300	320	440
SPL180	180	150	285	240	4- Φ 22	890	1000	990	250	760	825	3880	4000	7500	4600	3300	320	720
SPL200	320	200	340	295	4- Φ 22	1065	1170	1180	315	910	960	4500	4400	9200	5200	3400	400	1200